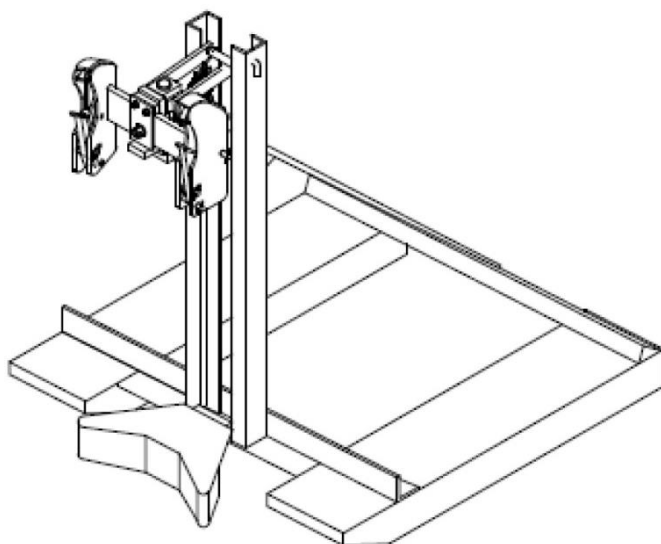
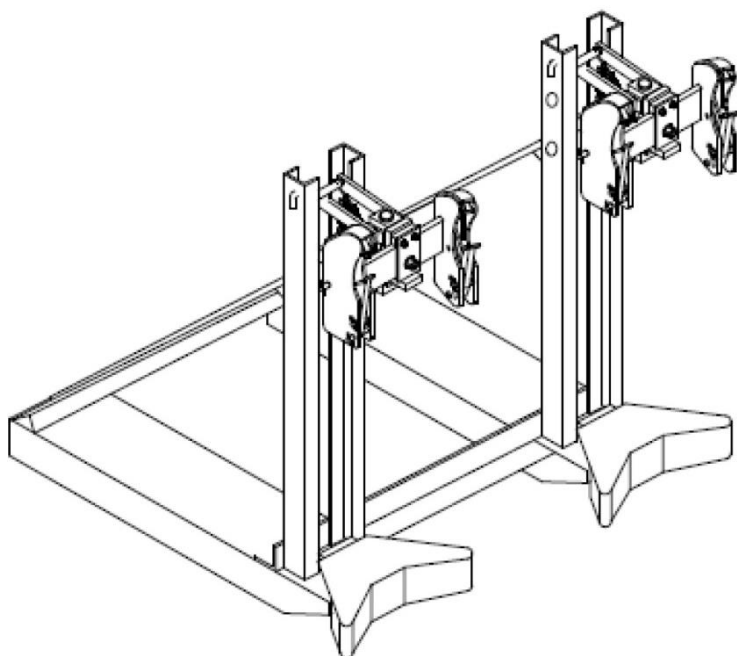


Easy Lift Equipment Co., Inc.

2 Mill Park Court, Newark, Delaware 19713 - Phone: 800-233-1800 / 302-737-7000

EAGLE-GRIP™ 2 SERIES ATTACHMENTS OPERATING INSTRUCTIONS



EASY LIFT EQUIPMENT

EAGLE-GRIP™ 2 SERIES ATTACHMENTS

INTRODUCTION

The Eagle-Grip™ 2 series of lift truck attachments utilize a light duty single automatic clamping mechanism for handling any size steel or plastic chimed drum. All models are knockdown units which bolt together. The fork pockets and safety chain provide a quick and easy connection to any lift truck. All Eagle-Grip™ 2 models are recommended for light duty applications. The specification plate affixed to each attachment provides the following information: model number, serial number, attachment weight, and lifting capacity. **Please verify with your local forklift dealer that your lift truck, counter-balanced walkie stacker, or walkie straddle stacker is certified and tagged properly for this attachment.**

This manual contains information to instruct you on the proper use and maintenance of your Easy Lift Equipment unit. This manual should be available to all personnel working with the machine. Follow the maintenance procedures carefully to ensure a safe and reliable service life. Do not operate your equipment until you have read and understood these instructions.

COMMISSIONING YOUR EAGLE-GRIP™ 2 SERIES ATTACHMENT

1. Remove all packing materials, protective strapping, and wood shipping blocks.
2. Perform a visual inspection of the entire unit for damage.
3. Drive the lift truck to position the forks inside the attachment.
4. Secure the attachment to the lift truck by connecting the safety chain to the forklift carriage. The end of the chain is equipped with a snap hook, so generally the chain is looped around the carriage and the snap hook is connected to the chain to form a loop.
5. The carriage mount version of this attachment will attach directly to any lift truck with an ITA Class II carriage. Lower the lift truck carriage close to the ground. Pull up the locking pin on the top rail of the attachment. Hook the top rail of the attachment over the top rail of the carriage. Slide the attachment so the cleat on the lower rail can pass through the cutout on the lower carriage rail and seat. Slide the attachment to the desired location along the rail. Push the locking pin back down to ensure the attachment is mounted securely to the lift truck carriage.

DAILY SAFETY INSPECTION

Do not operate your Eagle-Grip™ 2 series attachment if you notice any unsafe condition(s) that may have been caused by an accident or malfunction. Immediately report this condition to your supervisor.

1. Perform a visual inspection, checking for loose or damaged springs and jaws.
2. Ensure that safety chain is properly attached to carriage.
3. Ensure locking pins are pushed down and attachment is mounted securely to fork mount carriage.
4. Ensure the operator has read the manual and is properly trained to use the attachment.
5. Observe the condition of the equipment for any other malfunction or defect.

If any of these tests are failed, tag the unit properly to keep it out of service until the problem has been resolved.

SAFETY PRACTICES

1. Do not lift loads that exceed the rated capacity of the unit.
2. During transportation, the drum(s) should only be lifted to a height that is necessary for proper floor clearance.
3. Keep hands and feet clear of the clamping head, lifting area in front of the unit, and the area underneath an elevated drum.
4. Be certain the clamping head(s) have made a secure connection with the chime of the drum before attempting to move or transport a load.

WARNINGS

WARNING: Do not lift or suspend loads over people. Stay clear of suspended loads.

WARNING: Do not attempt to overload the attachment its rated capacity, or raise the drum(s) beyond its maximum lifting height.

WARNING: Never transport the attachment at its maximum lifting height.

WARNING: Keep hands and feet away from the pinch points, mast channels, clamp and springs.

WARNING: Do not leave unit outside in rain, snow, etc., for extended periods.

WARNING: Never leave the unit unattended with a suspended load.

WARNING: Never wash the unit down. The unit is designed to be wiped down by hand.

WARNING: Do not make alterations or modifications to the unit without Easy Lift Equipment authorization.

EAGLE-GRIP™ 2 SERIES ATTACHMENTS OPERATING INSTRUCTIONS

TO ENGAGE AND TRANSPORT DRUMS:

1. Center the attachment clamping mechanisms with center of drum(s). Drive the lift truck forward until the attachment contacts the drum(s).
2. Raise the carriage to engage the clamping mechanisms with the chimes of the drum(s). The lift truck can now be driven to transport the drum(s).
3. Tilt the mast forward, then lower the carriage until the upper clamping jaw in the clamping mechanism has retracted completely. The lift truck operator can now back away.

TO ADJUST CLAMPING HEAD FOR VARIOUS DRUM HEIGHTS:

1. Lower the carriage as far as possible.
2. Remove adjustment pin, and lower or raise the clamping mechanism so that the lower jaw is slightly below the bead or rim of the drum. It is advisable to have the cradle touching the lowest possible point of the drum that still permits engaging the drum. The second hole is suited for 55-gallon drums.

WHEN USING SLIDE-ON FORK MOUNTING WITH THE OPTIONAL QUICK-CLAW SAFETY RESTRAINT SYSTEM

The patented "Quick Claw" cam locks hold the forks of the forklift securely to the attachment. This option prevents any chance of sliding off during sudden stops. This also eliminates the need for the operator to dismount the lift truck to secure or unsecure the standard safety chain provided on all Eagle-Grip™ attachments. Unique rotating cams bind to the heel of each fork when lifted off the ground. When the cam locks meet the floor, they conveniently release the attachment. The fork pockets on all Eagle-Grip™ 2 series attachments equipped with Quick-Claw cams are 43" in length. This 43" length is designed for use on lift trucks equipped with 42" length forks. The cam locks need to be in a position where the heel of the forks is between 1.25" and 1.75" thick. The lift truck forks should be inspected prior to using the quick-claw attachment to verify the fork thickness.

In the event the lift truck is equipped with 48" forks, 49" fork pockets will be necessary for proper operation. If the attachment is not built to accommodate 48" length forks, the cam-locks on the Quick-Claw option may not function properly.

SCALE EQUIPPED MODELS (GRIP & WEIGH ATTACHMENTS)

If your equipment has a scale system, the indicator has already been calibrated and tested before leaving the factory. It has been disconnected and packaged separately for safe travel. Unpack the indicator from the box and mount to the unit on the provided bracket. Connect the indicator cable to the unit cable by screwing the male and female ends together. Turn on the indicator and ensure it reads zero before engaging a drum. If handling liquids in a drum, it may take up to one minute for the indicator to settle on a specific weight. To speed up this process it is recommended to set the indicator to a lower sensitivity. This can be achieved by programming the indicator to read in .5 pounds or .25 kilograms. If set to read in 1.0 or .5 kg. increments it will take less time for the indicator to settle-down on a specific weight. Please refer to the manual of the specific indicator for proper operation instructions.

Eagle-Grip™ Series Attachment Maintenance Checklist

			Maintenance Intervals			
			1 Mo	6 Mo	12 Mo	3 Yrs
Structural Steel:	1.1	Check for cracked welds on frame		X		
	1.2	Flip attachment forward to inspect the ends of both fork pockets for cracked welds			X	
	1.3	Check the safety chain and cam lock for wear and missing parts	X			
	1.4	Check to verify that specification data plates are affixed to the attachment			X	
Clamping Heads:	2.1	Inspect heads for loose or missing pins, cotter pins, springs, pins, and replace as necessary	X			
	2.2	Lubricate clamping mechanisms	X			
Belts:	3.1	Check belts for wear and adjust for proper tension			X	
Pins, Springs, Inner housings, Links:	4.1	Replace all springs			X	
	4.2	Replace all pins and links				X
Optional Quick-Claw	5.1	Check to verify springs are intact and functioning properly			X	
	5.2	Lubricate cam to prevent rust	X			

**The maintenance intervals refer to normal service conditions. In case of aggravated conditions, the intervals must be reduced/increased as required.

CLAMPING HEAD OR ATTACHMENT PREVENTATIVE MAINTENANCE EXCHANGE & REFURBISHMENT PROGRAM

This service is designed to provide customers with an easy to use preventative maintenance & refurbishment program to achieve the best performance and maximum service life. The clamping mechanism(s) should have regular preventative maintenance service in addition to required visual inspections, belt replacement, and monthly lubrication. The intervals between services are dependent upon usage, but should generally be done at least once every year.

Loaner clamping head(s) or full attachment are provided free of charge however the customer is responsible for all shipping costs incurred. Loaner attachments and clamping mechanisms are finished in a different color to ensure identification as loaner units.

HOW IT WORKS:

- Contact Easy Lift Equipment or your local dealer to obtain a return authorization number for your clamping head(s) or full attachment. If needed a loaner clamping head(s) or attachment will be shipped to your site to minimize down time while your equipment is being serviced
- Clamping head(s) only: remove the clamping head assembly from mast by removing the circle cotter clip from the adjustment pin and pulling the adjustment pin out. Slide the entire clamping head assembly up and out of the mast and reinsert the adjustment pin and circle cotter pin.
- Ship the original clamping head(s) or full attachment to Easy Lift Equipment in the same box, container, or pallet that the loaner was received. Be sure to display the return authorization number and company name on the outside of the box, container, or pallet.
- The clamping head(s) or full attachment will be disassembled and assessed so a maintenance quote can be provided for approval. Costs are determined by the required parts, labor, and requested services or additional features.

SCOPE OF WORK TO BE PERFORMED: Clean and lubricate all necessary pins. (Sandblasting, welding, and re-powder coating is available upon request). Replace springs, jaws, cotter pins, or any worn parts. Reassemble clamping head(s) or full attachment.

- Upon completion and approval, the clamping head(s) or full attachment will be returned to the customer. The loaner clamping mechanism or attachment should be promptly returned to Easy Lift Equipment.

The customer is responsible for all charges including but not limited to:

1. Parts & labor required for refurbishment or preventative maintenance.
2. Shipping to and from the company's location.
3. Loss, damage, or repair(s) to the loaner equipment.

Model	Capacity (lbs/kg)	Weight (lbs/Kg)	H x L x W		Drums Handled	Description
			(inches)	(mm)		
EG1SCM-CM	750/340	49/23	32x14x14	813x356x356	1	Carriage Mount
EG1SCMSRC-CM	750/340	49/23	32x14x14	813x356x356	1	Carriage Mount
EG1SCM-F	750/340	120/55	36x34x31	889x864x787	1	Fork Mount
EG1SCMSRC-F	750/340	123/56	36x34x31	889x864x787	1	Fork Mount
EG1SCM-FQC	750/340	244/111	41x47x31	1016x1194x787	1	Fork Mount/Quick Claw
EG1SCMSRC-FQC	750/340	244/111	41x47x31	1016x1194x787	1	Fork Mount/Quick Claw
EG1SCM2-F	1500/680	175/80	35x34x38	889x864x965	1 or 2	Fork Mount
EG1SCMSRC2-F	1500/680	175/80	35x34x38	889x864x965	1 or 2	Fork Mount
EG1SCM2-FQC	1500/680	296/134	41x47x38	1016x1194x965	1 or 2	Fork Mount/Quick Claw
EG1SCMSRC2-FQC	1500/680	296/134	41x47x38	1016x1194x965	1 or 2	Fork Mount/Quick Claw
EG2LDCM-CM	1000/454	66/30	32x14x14	813x356x356	1	Carriage Mount
EG2LDCMSRC-CM	1000/454	66/30	32x14x14	813x356x356	1	Carriage Mount
EG2LDCM-F	1000/454	140/64	36x35x31	940x889x787	1	Fork Mount
EG2LDCMSRC-F	1000/454	140/64	36x35x31	940x889x787	1	Fork Mount
EG2LDCM-FQC	1000/454	261/119	41x47x31	1016x1194x787	1	Fork Mount/Quick Claw
EG2LDCMSRC-FQC	1000/454	261/119	41x47x31	1016x1194x787	1	Fork Mount/Quick Claw
EG2LDCM2-F	1500/680	200/91	36x35x38	940x889x965	1 or 2	Fork Mount
EG2LDCMSRC2-F	1500/680	200/91	36x35x38	940x889x965	1 or 2	Fork Mount
EG2LDCM2-FQC	1500/680	296/134	41x47x38	1016x1194x965	1 or 2	Fork Mount/Quick Claw
EG2LDCMSRC2-FQC	1500/680	296/134	41x47x38	1016x1194x965	1 or 2	Fork Mount/Quick Claw

* All Carriage Mount models are made to fit a Class II carriage unless otherwise specified

LOST LOAD CENTER: The distance from the tip of the forks to the center of the drum.

MODEL NUMBER

EG1SCM-CM & EG1SCMSRC-CM	22.00" from carriage to center of drum 11.00" from carriage to beginning of drum
EG1SCM-F & EG1SCMSRC-F	14.50" to center of drum measurement
EG1SCM-FQC & EG1SCMSRC-FQC	14.50" to center of drum measurement
EG1SCM2-F & EG1SCMSRC2-F	14.50" to center of drum measurement
EG1SCM2-FQC & EG1SCMSRC2-FQC	14.50" to center of drum measurement

VERTICAL CENTER OF GRAVITY: The distance measured from the bottom of the attachment to the center point of the mast at which it balances.

MODEL NUMBER

EG1SCM-CM & EG1SCMSRC-CM	4.75" from carriage to center of CM
EG1SCM-F & EG1SCMSRC-F	8.00" with 29.5" Fork Pockets
EG1SCM-FQC & EG1SCMSRC-FQC	9.00" with 43" Fork Pockets
EG1SCM2-F & EG1SCMSRC2-F	11.00" with 29.5" Fork Pockets
EG1SCM2-FQC & EG1SCMSRC2-FQC	11.00" with 43" Fork Pockets

HORIZONTAL CENTER OF GRAVITY:

The distance or point that is measured between the beginning of the fork pockets to the end of the attachment which the attachment balances.

MODEL NUMBER

EG1SCM-CM & EG1SCMSRC-CM	14.50" from bottom of CM
EG1SCM-F & EG1SCMSRC-F	18.75" with 29.5" Fork Pockets
EG1SCM-FQC & EG1SCMSRC-FQC	22.75" with 43" Fork Pockets
EG1SCM2-F & EG1SCMSRC2-F	31.50" with 29.5" Fork Pockets
EG1SCM2-FQC & EG1SCMSRC2-FQC	29.50" with 43" Fork Pockets

LOST LOAD CENTER: The distance from the tip of the forks to the center of the drum.

MODEL NUMBER

EG2LDCM-CM & EG1SCMSRC-CM	22.00" from carriage to center of drum 11.00" from carriage to beginning of drum
EG2LD CM-F & EG2LD CMSRC-F	14.50" to center of drum measurement
EG2LD CM-FQC & EG2LD CMSRC-FQC	14.50" to center of drum measurement
EG2LD CM2-F & EG2LD CMSRC2-F	14.50" to center of drum measurement
EG2LD CM2-FQC & EG2LD CMSRC2-FQC	14.50" to center of drum measurement

VERTICAL CENTER OF GRAVITY: The distance measured from the bottom of the attachment to the center point of the mast at which it balances.

MODEL NUMBER

EG2LD CM-CM & EG2LD CMSRC-CM	4.75" from carriage to center of CM
EG2LD CM-F & EG2LD CMSRC-F	8.00" with 29.5" Fork Pockets
EG2LD CM-FQC & EG2LD CMSRC-FQC	9.00" with 43" Fork Pockets
EG2LD CM2-F & EG2LDCMSRC2-F	11.00" with 29.5" Fork Pockets
EG2LD CM2-FQC & EG2LD CMSRC2-FQC	11.00" with 43" Fork Pockets

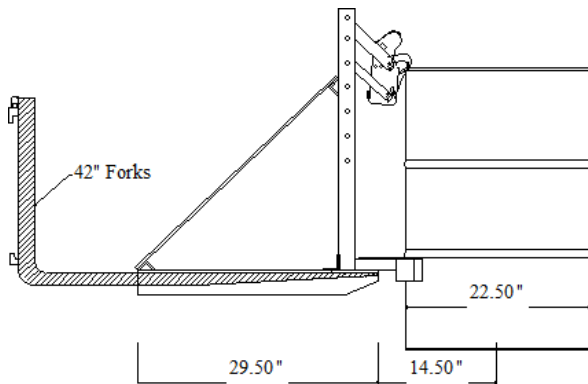
HORIZONTAL CENTER OF GRAVITY:

The distance or point that is measured between the beginning of the fork pockets to the end of the attachment which the attachment balances.

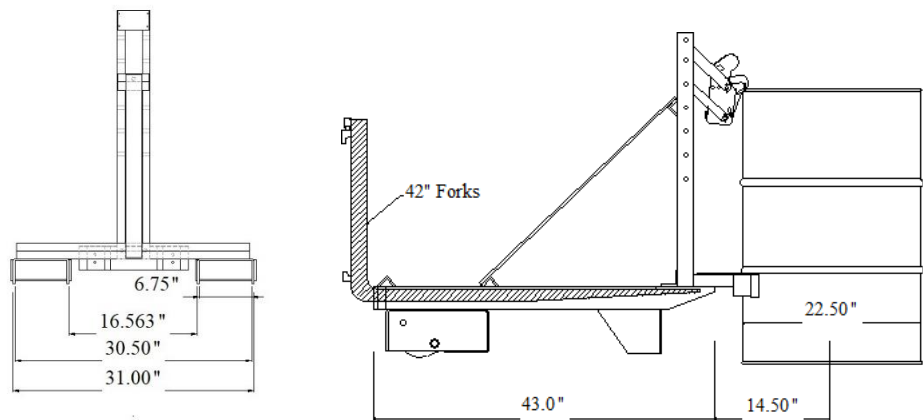
MODEL NUMBER

EG2LD CM-CM & EG2LD CMSRC-CM	14.50" from bottom of CM
EG2LD CM-F & EG2LD CMSRC-F	18.75" with 29.5" Fork Pockets
EG2LD CM-FQC & EG2LD CMSRC-FQC	22.75" with 43" Fork Pockets
EG2LD CM2-F & EG2LD CMSRC2-F	31.50" with 29.5" Fork Pockets
EG2LD CM2-FQC & EG2LDCMSRC2-FQC	29.50" with 43" Fork Pockets

ALL EG1 & EG2L MODELS WITHOUT QUICK-CLAW CAM LOCK SYSTEM



ALL EG1 & EG2L WITH QUICK-CLAW CAM LOCK SYSTEM



FOR PARTS & SERVICE CALL:

Easy Lift Equipment Co., Inc.
2 Mill Park Ct.
Newark, DE 19713

Phone: 800-233-1800; 302-737-7000
Website: www.easylifteqpt.com
Email: sales@easylifteqpt.com

EasyLift Ergonomic Drum Transporter with EG2L Double Clamping Mechanism for use on Fiber Drums

IMPORTANT NOTE FOR HANDLING FIBER DRUMS



When handling fiber drums it is necessary to engage the fiber drum guards prior to attempting to grip fiber drums.

To engage the fiber drum guards, remove each pin on the top of each side of the double clamping mechanism and pull the fiber drum guards forward. With the fiber drum guards in a forward position, inset the pins back into the guards to lock them in the forward position. The purpose of the fiber drum guards is to keep the lower clamping jaws from contacting the paper side of the drum when elevating the clamp against the drum. The lower clamping jaws will move under the locking band of the drums lid when the clamp is elevated to the proper height.

When not handling fiber drums, remove the pins again, move the guards back to the original position and re-inset the pins.

Easy Lift Equipment Co., Inc.

2 Mill Park Court, Newark, Delaware 19713 - Phone: 800-233-1800 / 302-737-7000

EASY LIFT EQUIPMENT WARRANTY POLICY FOR MODELS WITH PREFIXES: ED/ER/EL/ELDR/EG & RCR

Easy Lift Equipment (“ELE”) warrants each new product to be free from factory material and workmanship defects, under normal use with proper maintenance, for a period of 12 months. Warranty coverage for this warranty period is provided by authorized dealers and includes parts. Labor is covered for the same periods of 12 months as outlined above. Please call ELE for the authorized repair dealer in your area.

ELE shall be the sole judge of the validity of any claim or defect and may elect to make any replacement or repair of any part thereof that it has agreed to be defective. Wearable Items such as: hoses, bearings, belts, brushes, seals, lift motors, clamp motors, relays, fuses, springs and wheels are wear items not covered under the warranty policy. ELE assumes no responsibility whatsoever to work done, parts replaced, or expenses incurred not specifically authorized by ELE. Normal maintenance or replacement of service items is not covered by this warranty. No warranty claims will be considered for customers with any delinquent outstanding balance. When batteries, battery chargers, scale printers or scale indicators are purchased from ELE with the equipment, the original manufacturer’s warranty applies.

WARRANTY LIMITATION/DISCLAIMERS:

Easy Lift Equipment reserves the right to void warranty coverage if the unit has been overloaded beyond rated capacity; damaged due to: abuse, misuse, neglect, accidents, freight damage, improper usage, improper repair, and/or improper storage; or any modification or repair conducted in a manner not approved by Easy Lift Equipment. Equipment used in freezers, abrasive, corrosive, and/or excessively moist conditions must be properly equipped for the environment to ensure the warranty is not voided. Warranty questions and claims should be directed to our customer service department. ELE customer service representatives will help you assess and resolve the claim or assist you in contacting the local authorized dealer or representative. The warranty described here shall constitute the sole remedy of the authorized dealer and/or the initial purchaser. ELE neither assumes nor authorizes any person to assume for it any other obligation or responsibility in connection with this product warranty. In no event shall ELE be responsible for direct, indirect, special or consequential damages or any other delay or any economic or commercial loss resulting from Easy Lift Equipment’s performance or non-performance under this warranty. This warranty is expressly in lieu of all warranties, obligations or responsibilities of ELE dealers or other authorized source, expressed, implied or statutory.

SUBMITTING CLAIMS:

To make a claim under this policy, please contact Easy Lift Equipment for assistance. We can be reached by calling 800-233-1800 ext. 4 for customer service or by writing to sales@easylifteqpt.com. Do not return defective parts unless a return authorization (RA) has been provided requesting the return. If requested, we will provide shipping information on how the part should be returned and bear the expense for the return shipping, if the part is proven to be defective. A copy of the work order made at the time of the repair and parts claimed under warranty may be requested for ELE’s inspection.

ORDERING PARTS:

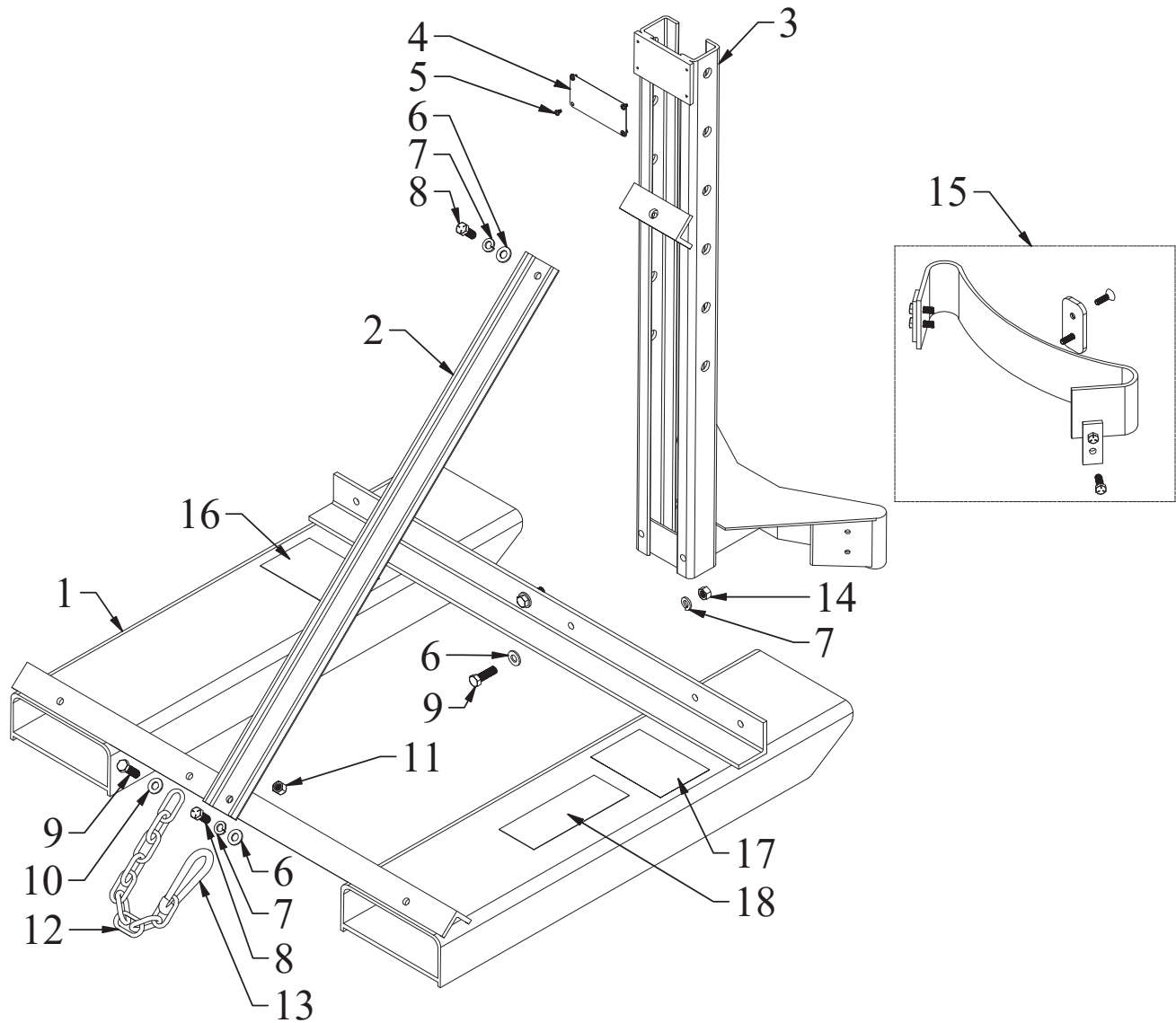
Easy Lift Equipment’s parts are distributed through our customer service department and ship the same day as ordered whenever possible. You will be well taken care of whenever parts, adjustments or repairs are needed. **When contacting ELE, please be sure to state the model and serial number for the equipment.** There is no cost for electronic copies of replacement manuals, parts lists and other general information containing part numbers and nomenclature. Most manuals contain parts pricing, but it is not guaranteed to be valid as parts pricing can change at any time without notice. Any customer service representative can provide timely parts quotations upon request. Adherence to above procedure will save time and provide prompt assistance when it counts. You are of course always welcome to bring to us any questions, comments or recommendations pertaining to your Easy Lift Equipment products.

MANUFACTURER CONTACT INFORMATION:

Easy Lift Equipment Co., Inc.
2 Mill Park Ct.
Newark, DE 19713
Email: sales@easylifteqpt.com

Phone: 800-233-1800: 302-737-7000
Fax: 302-737-7333
Website: www.easylifteqpt.com

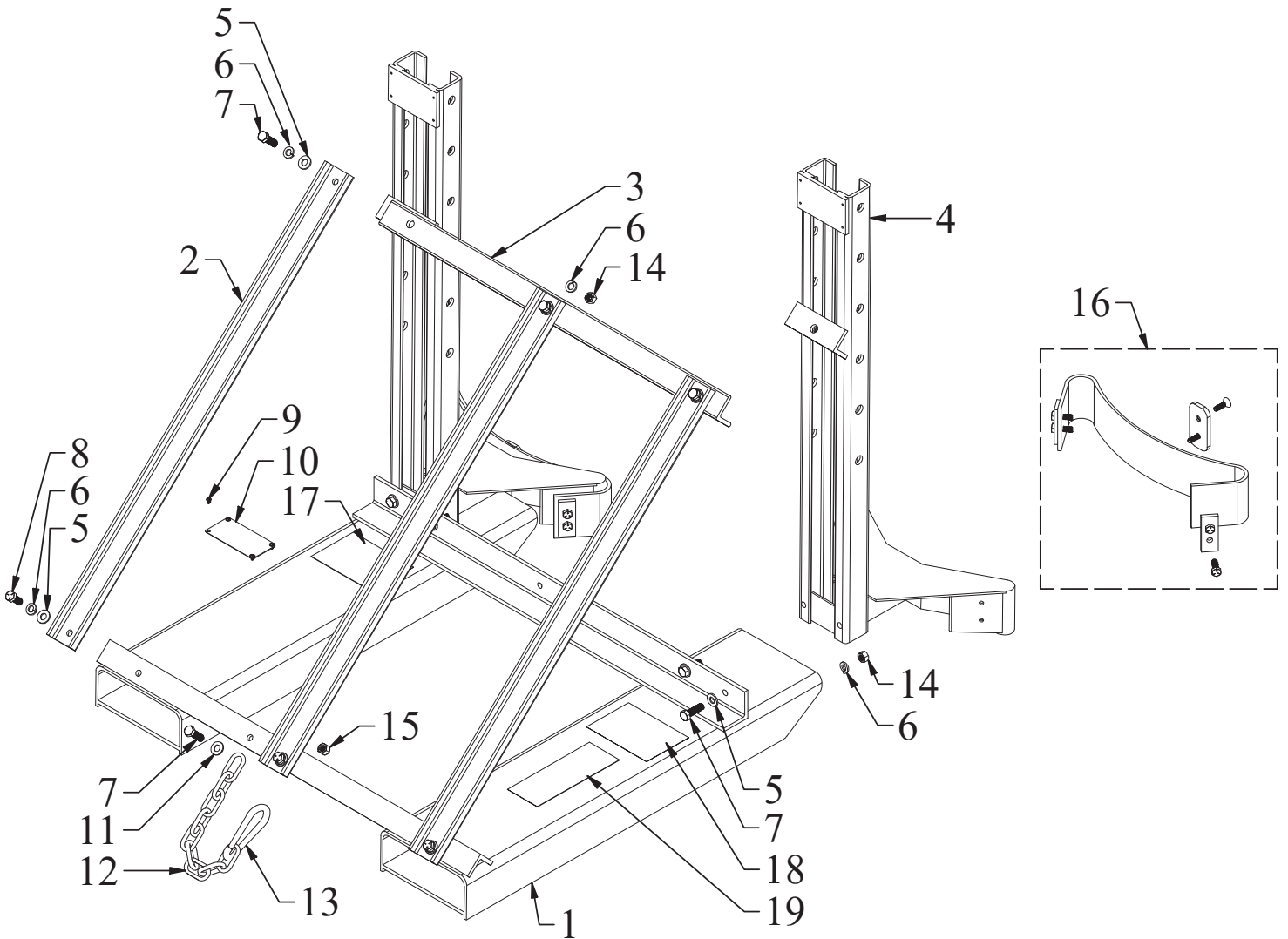
LIGHT DUTY SINGLE DRUM FRAME ASSEMBLY



LIGHT DUTY SINGLE DRUM FRAME PARTS LIST

<u>ITEM</u>	<u>PART NO.</u>	<u>DESCRIPTION</u>	<u>QTY</u>
1	96026	Fork Pockets for Slide on Mounting	1
2	60021	Vertical Brace, Frame to Slide-on Mounting	1
3	7002	Mast	1
4	MCL007031	Specification Plate	1
5	6 x 1/4 RUDS-SS	6 x 1/4 Round Head U Drive Screw (stainless steel)	4
6	3/8 FW SAE	3/8 Flat Washer SAE (zinc)	4
7	3/8 LW	3/8 Lock Washer (zinc)	4
8	3/8-16 x 1 HHCS-8	3/8-16 x 1 Hex Head Cap Screw Grade 8 (yellow zinc)	2
9	3/8-16 x 1 1/4 HHCS-8	3/8-16 x 1 1/4 Hex Head Cap Screw Grade 8 (yellow zinc)	3
10	3/8 FW	3/8 Flat Washer (zinc)	1
11	3/8-16 NLN	3/8-16 Nylon Locking Nut (zinc)	1
12	12E312-0003	36" 5/16" Chain Zinc Plated Proof Coil Chain	1
13	SNAP2450-375NE	3/8" Snap Hook	1
14	3/8-16 HN	3/8-16 Finished Hex Nut (zinc)	2
15	5516E	Optional: Belt Cradle Kit (includes all hardware)	1
<u>DECALS</u>			
16	ADART002	Attention Read Operations Manual Decal	1
17	ADART750	750lbs Capacity Sticker	1
18	ADART015	ELE Address Decal (Horizontal)	1

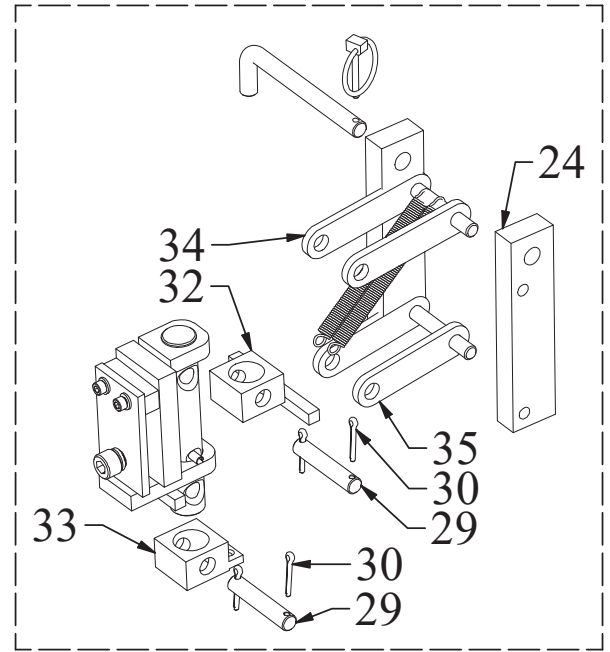
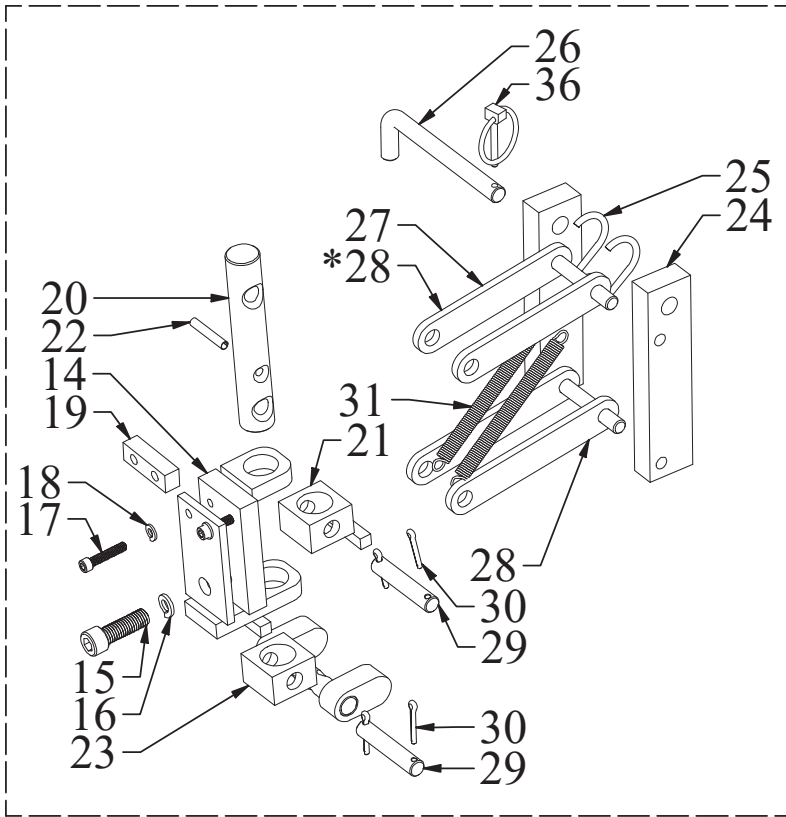
LIGHT DUTY DOUBLE DRUM FRAME ASSEMBLY



LIGHT DUTY DOUBLE DRUM FRAME PARTS LIST

<u>ITEM</u>	<u>PART NO.</u>	<u>DESCRIPTION</u>	<u>QTY</u>
1	96026	Fork Pockets for Slide on Mounting	1
2	60021	Vertical Brace, Frame to Slide-on Mounting	3
3	7002-1	Horizontal Brace Mount	1
4	7002	Mast	2
5	3/8 FW SAE	3/8 Flat Washer SAE (zinc)	10
6	3/8 LW	3/8 Lock Washer (zinc)	11
7	3/8-16 x 1 1/4 HHCS-8	3/8-16 x 1 1/4 Hex Head Cap Screw Grade 8 (yellow zinc)	8
8	3/8-16 x 1 HHCS-8	3/8-16 x 1 Hex Head Cap Screw Grade 8 (yellow zinc)	3
9	6 x 1/4 RUDS-SS	6 x 1/4 Round Head U Drive Screw (stainless steel)	4
10	MCL007031	Specification Plate	1
11	3/8 FW	3/8 Flat Washer (zinc)	1
12	12E312-0003	36" 5/16" Chain Zinc Plated Proof Coil Chain	1
13	SNAP2450-375NE	3/8" Snap Hook	1
14	3/8-16 HN	3/8-16 Finished Hex Nut (zinc)	5
15	3/8-16 NLN	3/8-16 Nylon Locking Nut (zinc)	1
16	5516E	Optional: Belt Cradle Kit (includes all hardware)	2
<u>DECALS</u>			
17	ADART002	Attention Read Operations Manual Decal	1
18	ADART1500	1500lbs/680kg Capacity Sticker	1
19	ADART015	ELE Address Decal (Horizontal)	1

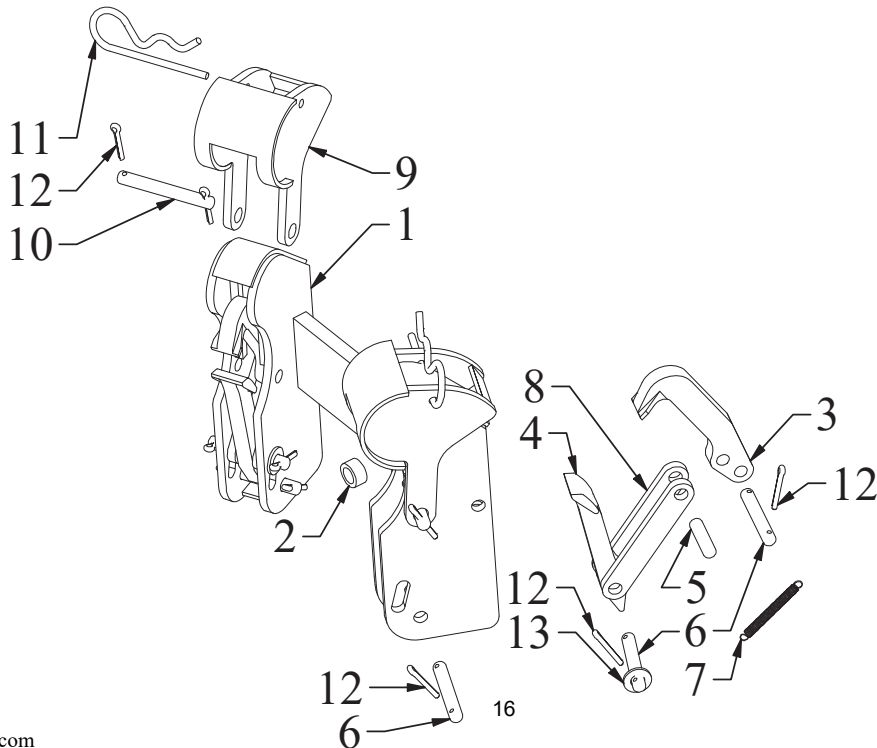
EG2 LIGHT DUTY DOUBLE CLAMPING MECHANISM ASSEMBLY



SEEN ON LEFT: **ERGO UNITS WITH A 5" BELT CRADLE** WILL PRIMARILY USE A 6" UPPER CLEVIS (#27) AND A 5-1/2" LOWER CLEVIS (#28). ALONG WITH A LOWER PIVOT BLOCK WITH OVAL STOP BARS (#23) AND AN UPPER PIVOT BLOCK WITH A 2-1/4" STOP BAR (#21).

***EAGLE-GRIP ATTACHMENTS** WILL PRIMARILY USE 5-1/2" LOWER CLEVISES (#28) FOR BOTH THE TOP AND BOTTOM CLEVISES.

SEEN ON THE RIGHT: **ERGO UNITS WITH A 3" BELT CRADLE** WILL PRIMARILY USE A 4-1/2" UPPER CLEVIS (#34) AND A 4" LOWER CLEVIS (#35). ALONG WITH A LOWER PIVOT BLOCK (#33) AND AN UPPER PIVOT BLOCK WITH A 3-3/4" STOP BAR (#32).



EG2 LIGHT DUTY DOUBLE CLAMPING MECHANISM PARTS LIST

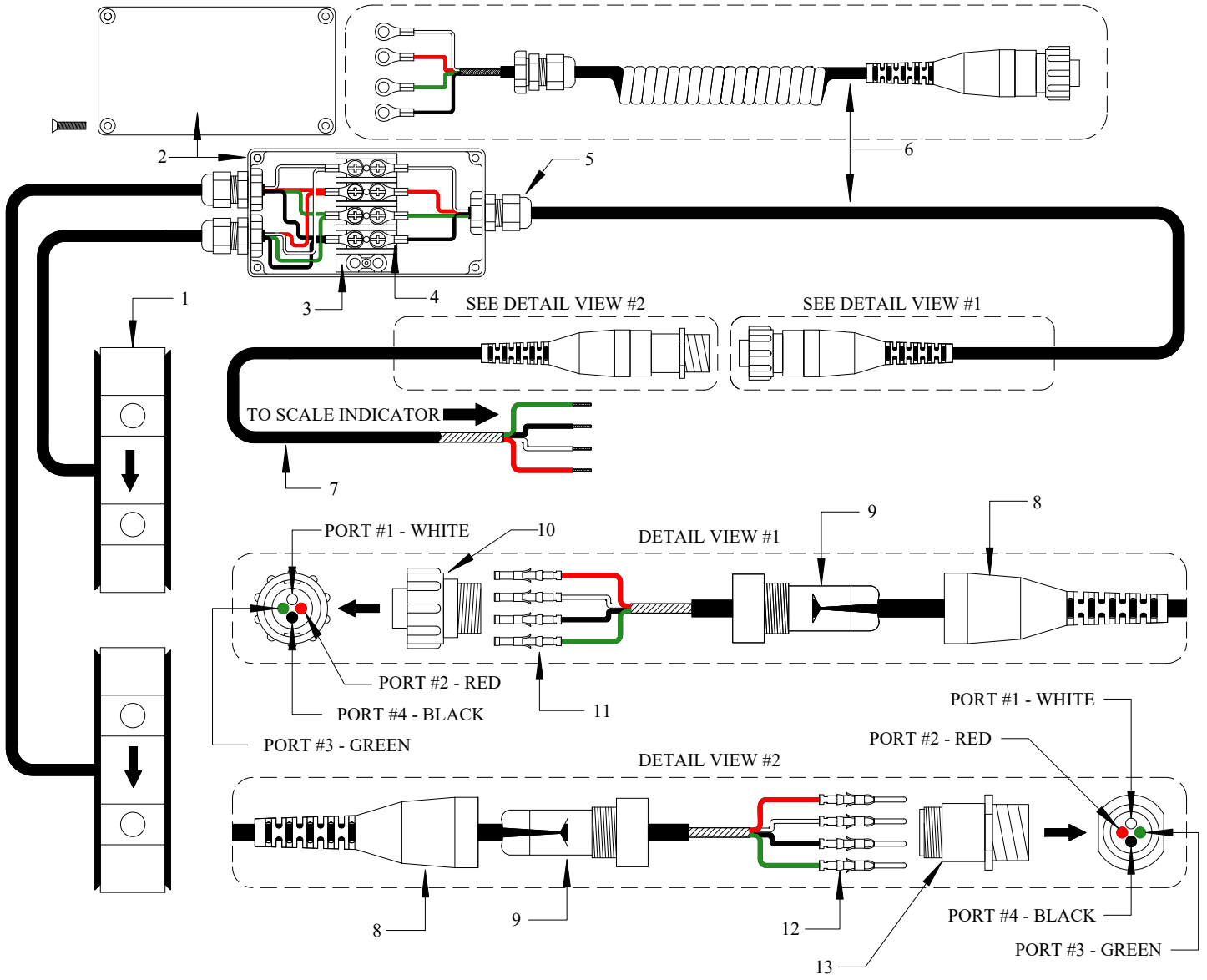
<u>ITEM</u>	<u>PART NO.</u>	<u>DESCRIPTION</u>	<u>QTY</u>
1	7302R	Housing, Double Clamping Mechanism (Black Powder Coating)	1
1	7302RSS	Housing, Double Clamping Mechanism (Stainless Steel)	1
2	10001	Bushing, Housing Yolk Trunion (zinc)	1
3	9107SS	Stainless Steel Upper Jaw (Spark Resistant)	2
4	7107SS	Stainless Steel Lower Jaw (Spark Resistant)	2
5	41041SS	3/8" x 1" Pin, Upper Jaw to Link, short (stainless steel)	2
6	16104-1SS	3/8" x 1.770" Pin, Upper Jaw Link (stainless steel)	6
7	1206	Spring, Jaw to Housing (stainless steel)	2
8	13009-1	Link, Jaw to Jaw (zinc)	4
9	621	Fiber Drum Guard (Black Powder Coating)	2
9	621SS	Fiber Drum Guard (Stainless Steel)	2
10	15104-1SS	3/8" x 2.242" Pin, Fibre Guard, Housing to Clevis (stainless steel)	2
11	7019	3-7/8" Hair Pin Clip (zinc)	2
12	3006-CP	Cotter Pin, 1/8" x 3/4" (zinc)	16
13	1470-6	Custom Washer EG (Stainless Steel)	4
14	6012R	Universal Body (Black Powder Coating)	1
15	1/2-13 x 1 1/2 SHCS	1/2-13 x 1 1/2 Socket Head Cap Screw (zinc)	1
16	1/2 LW	1/2 Lock Washer (zinc)	1
17	1/4-20 x 1 1/4 SHCS	1/4-20 x 1 1/4 Socket Head Cap Screw Alloy Plated	2
18	1/4 LW	1/4 Lock Washer (zinc)	2
19	50064	Spacer (Black Powder Coating)	1
20	64061	Universal Pin (zinc)	1
21	50021R	Upper Pivot Block (Black Powder Coating)	1
22	70062	Spring Roll Pins 1/4 X1-1/2 (zinc) (xref 70641)	1
23	5012R	Lower Pivot Block with Oval Stop Bars (Black Powder Coating)	1
24	8002	Adjustment Slide (FDA Black Powder Coating)	2
25	8996-2	Clevis Spring Hook (Stainless Steel)	1
26	10204-1SS	1/2" x 4-1/2" Adjusting Pin (stainless steel)	1
27	5912R	Upper Clevis 6" (Black Powder Coating)	1
27	5912RZ	Upper Clevis 6" (FDA Powder Coating)	1
28	6912R	Lower Clevis 5 1/2" (Black Powder Coating)	1
28	6912RZ	Lower Clevis 5 1/2" (FDA Powder Coating)	1
29	16033-1	1/2" x 2.625" Pin, Clevis (zinc)	2
30	6006-CP	Cotter Pin, 5/32" x 1" (zinc)	4
31	8206	Clevis Spring (zinc)	2
32	50021RS	Upper Pivot Block (Black Powder Coating - Double Mast)	1
33	5012RS	Lower Pivot Block (Black Powder Coat- Double Mast)	1
34	5912RS	Upper Clevis 4 7/16" (Black Powder Coating - Double Mast)	1
34	5912RZS	Upper Clevis 4 7/16" (FDA Powder Coating - Double Mast)	1
35	6912RS	Lower Clevis 4" (Black Powder Coating - Double Mast)	1
35	6912RZS	Lower Clevis 4" (FDA Powder Coating - Double Mast)	1
36	HANG-1	3/16 x 1-1/4 Shank Lynch Pin "Hang 1" (9016)	1
 <u>FULL ASSEMBLIES</u>			
	4004R	EG2L Double Clamping Mechanism (Black Powder Coating)	
	4004RS	EG2L Double Clamping Mechanism (Black Powder Coating - Double Mast)	
	4004RSRC	EG2L Double Clamping Mechanism (Stainless Steel Housing - Non-Sparking)	
	4004RSRC-S	EG2L Double Clamping Mechanism (Stainless Steel Housing - Non-Sparking- Double Mast)	
 <u>PREVENTATIVE MAINTENANCE KITS</u>			
	EG2LPMKIT	EG2LDCM Preventative Maintenance Kit	

**EG2 LIGHT DUTY DOUBLE CLAMPING MECHANISM
PREVENTIVE MAINTENANCE KIT PARTS LIST**

<u>PART NO.</u>	<u>DESCRIPTION</u>	<u>QTY</u>
1206	Spring, Jaw to Housing (stainless steel)	2
HANG-1	3/16 x 1-1/4 Shank Lynch Pin "Hang 1" (9016)	1
7019	3-7/8" Hair Pin Clip (zinc)	2
3006-CP	Cotter Pin, 1/8" x 3/4" (zinc)	16
8206	Clevis Spring (zinc)	2
5516E	Optional: Belt Cradle Kit (includes all hardware)	1
WLG	12oz White Lithium Grease	1

THIS PAGE INTENTIONALLY LEFT BLANK

SCALE WIRING ASSEMBLY



SCALE WIRING PARTS LIST

<u>ITEM</u>	<u>PART NO.</u>	<u>DESCRIPTION</u>	<u>QTY</u>
1	HM1000	Load Cell with 4' cable	2
2	CU-124	Terminal Box Enclosure	1
-	7531A34	Two Sided Tape (6" Length)	1
3	7527K64	Terminal Block (Strip) 7/16", 4 circuits	1
4	3A214	Terminal Eyelet	12
5	ZZHEY3208	Cable Fitting	3
6	3530360	Eagle-Grip Scale Cable Assembly (Female End) - 30" Length	1
6	3530351	Scale Cable Assembly (Female End) - 50" Length (48" Mast)	1
6	3530352	Scale Cable Assembly (Female End) - 54" Length (60" Mast)	1
6	3530353	Scale Cable Assembly (Female End) - 60" Length (72" Mast)	1
6	3530354	Scale Cable Assembly (Female End) - 70" Length (84" Mast)	1
6	3530355	Scale Cable Assembly (Female End) - 80" Length (96" Mast)	1
6	3530356	Scale Cable Assembly (Female End) - 90" Length (108" Mast)	1
6	3530357	Scale Cable Assembly (Female End) - 100" Length (120" Mast)	1
6	3530368	Scale Cable Assembly (Female End) - 110" Length (132" Mast)	1
6	3530369	Scale Cable Assembly (Female End) - 120" Length (144" Mast)	1
6	3530358	Scale Coiled Cable Assembly (Female End)	1
7	3530361	Eagle-Grip/Ergo Scale Cable Assembly (Male End) - 24" Length	1
7	3530350	DH/RH, ED/ER, ELDR Scale Cable Assembly (Male End) - 36" Length	1
7	3530379	DH/RH, ED/ER, ELDR Swivel Scale Cable Assembly (Male End) - 48" Length	1
8	AP2074891	Strain Relief	2
9	AP2074901	Cable Grip	2
10	AP2060601	Connector Plug Size 11-4 (Female)	1
11	AP661054	Terminal Socket	4
12	AP661034	Terminal Pin	4
13	AP2061531	Connector Recp CPC 11-4 (Male)	1

Non-Intrinsically Safe Indicators

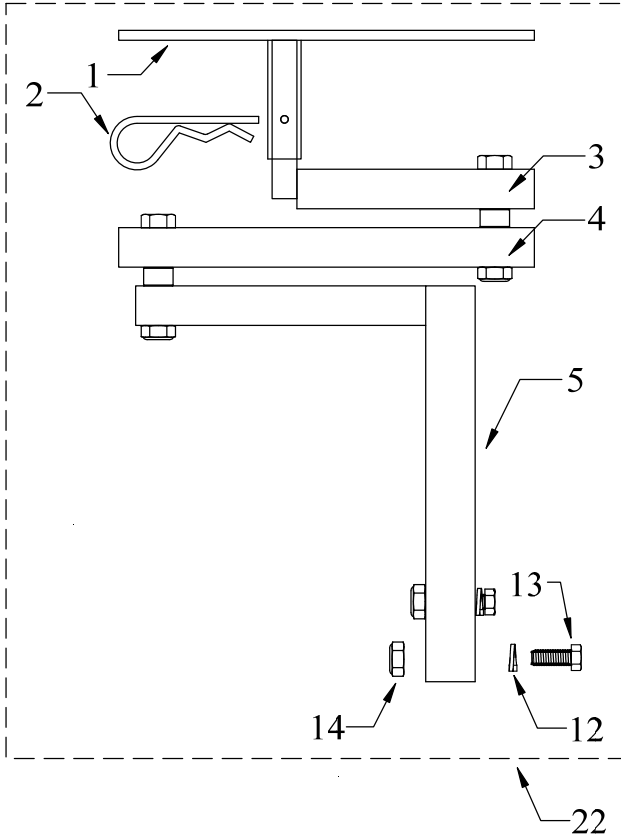
7000XLM	Doran™ 7000XL Non-intrinsically Safe Scale Indicator
SUB0853	Rechargeable Battery, with wire and terminals (2200, 7000, 8000)
2200	Doran™ 2200 Non-intrinsically Safe Scale Indicator (Numeric Keypad)
EXOPT187	Battery Option for Non-Intrinsically Safe 2200 Indicator
164582	Rice Lake 482 Indicator w Internal Battery & Charger
164585	Rice Lake 482 Plus Indicator w Internal Battery & Charger
107708	Rice Lake 720i Indicator

Intrinsically Safe Indicators

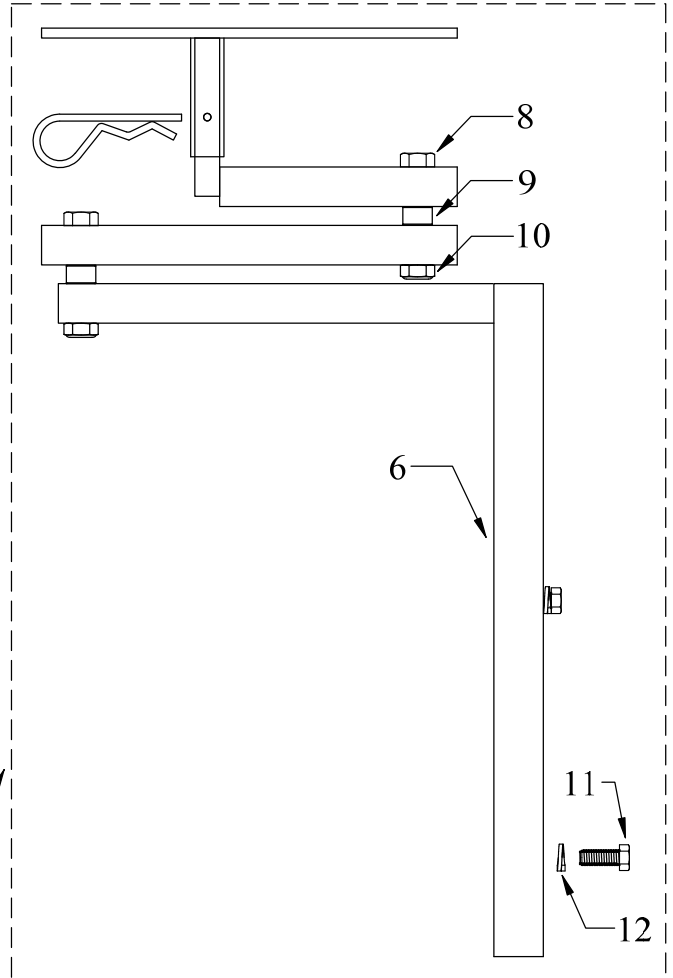
185288	Rice Lake 882IS Indicator w Battery Pack & Safe Area Charger
185291	Rice Lake 882IS PLUS Indicator w Battery Pack & Safe Area Charger
180831	Rice Lake 882IS Battery
194191	Rice Lake 882IS Battery Charger (IS6V2, 100-240 VAC)
72210052	Mettler Toledo IND226x Indicator
72258718	Mettler Toledo IND560x Indicator
64060627	Mettler Toledo EX Indicator Battery (Includes Cable)
64060217	Mettler Toledo Battery Charger (Safe Area, US Plug)

SWIVEL SCALE BRACKET ASSEMBLY

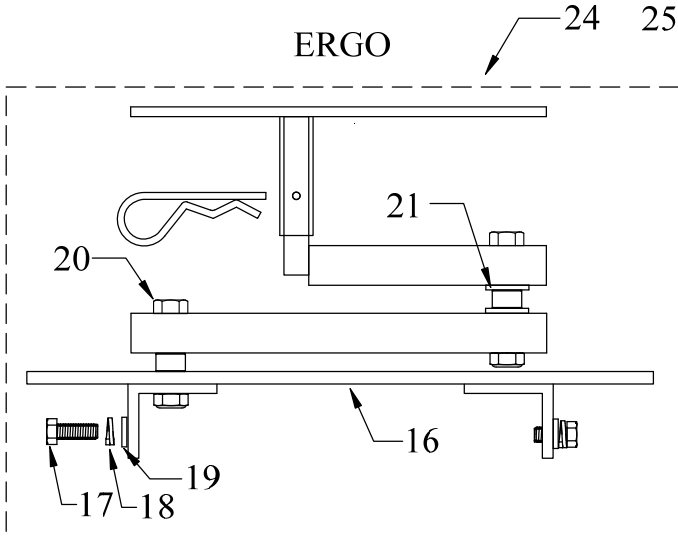
ELDR



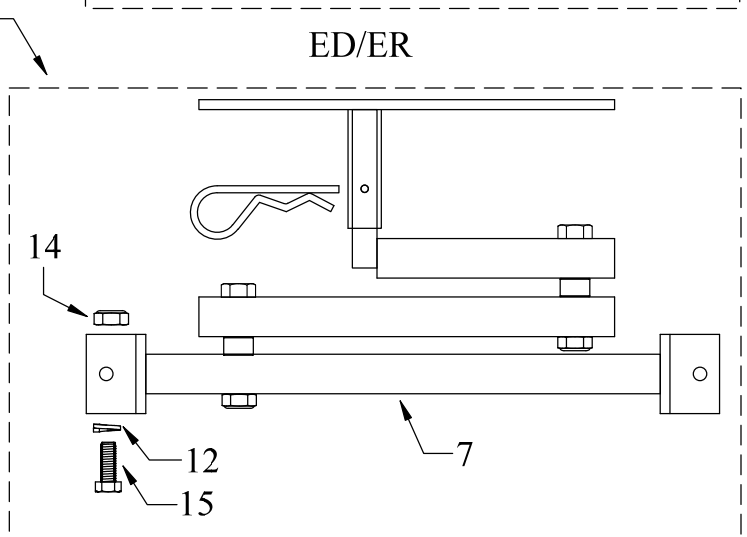
DRUM/ROLL-HAULER



ERGO



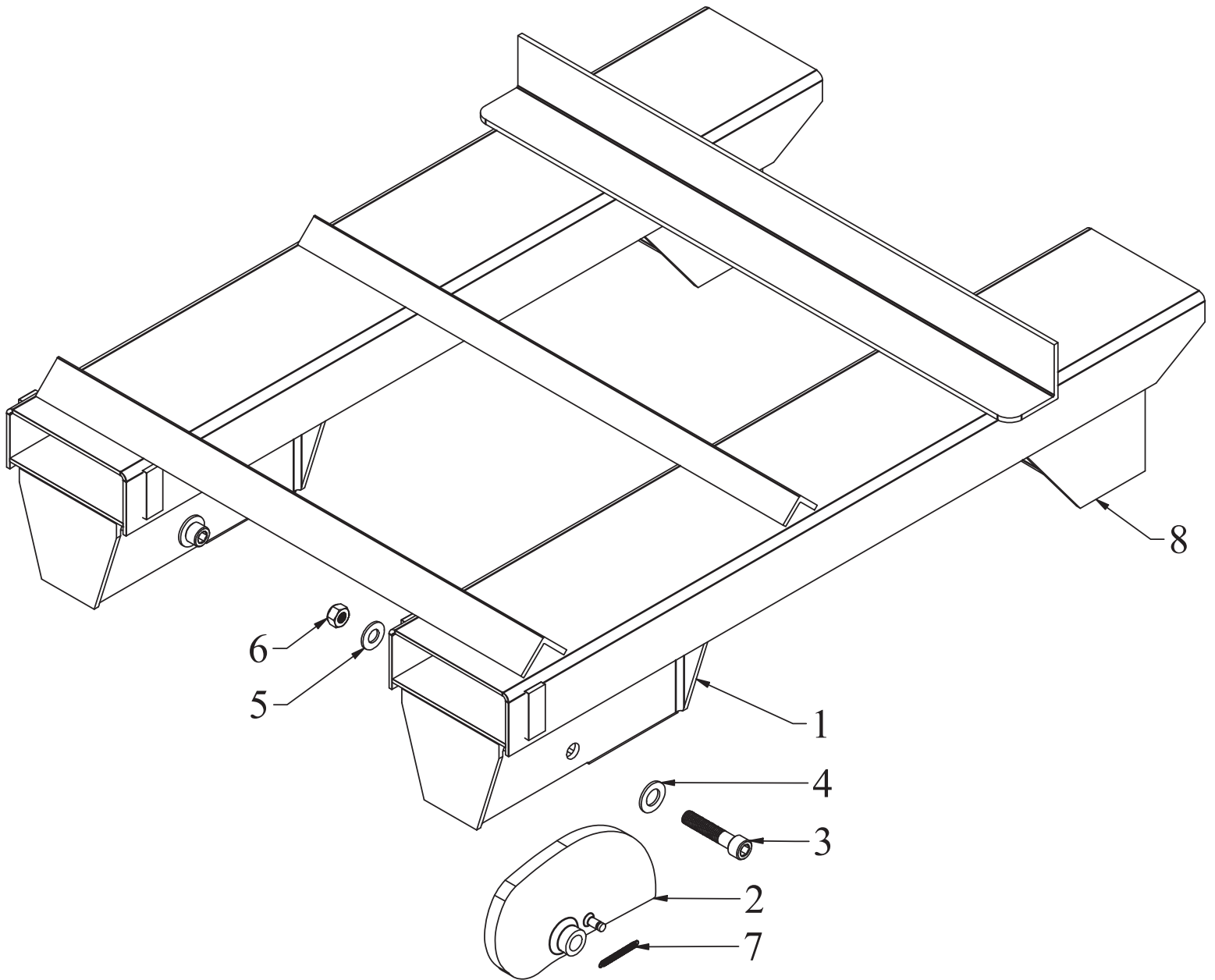
ED/ER



SWIVEL SCALE BRACKET PARTS LIST

<u>ITEM</u>	<u>PART NO.</u>	<u>DESCRIPTION</u>	<u>QTY</u>
1	3530348	Indicator Mount Bracket With Tube	1
2	98335A094	Zinc-plated steel cotter pin, 7/8"-1 D, 3-3/4 L	1
3	2580309	Scale Swing Bracket Post Bracket	1
4	2580308	Scale Swing Bracket Mid Bracket	1
5	2580310	ELDR Swivel Scale Bracket Frame Mount	1
6	3530349	DH Swivel Scale Bracket Base Mount	1
7	2580307	ED Swivel Scale Bracket Frame Mount	1
8	1/2-13 x 3 HHCS	1/2-13 x 3 Hex Head Cap Screw Grade 5 (zinc)	2
9	10001	Bushing, Housing Yolk Trunion (zinc)	2
10	1/2-13 THIN NLN	1/2-13 Nylon Locking Nut (THIN)	2
11	5/16-18 x 3/4 HHCS	5/16-18 x 3/4 Hex Head Cap Screw Grade 5 (zinc)	2
12	5/16 LW	5/16 Lock Washer (zinc)	2
13	5/16-18 x 1 HHCS	5/16-18 x 1 Hex Head Cap Screw Grade 5 (zinc)	2
14	5/16-18 HN	5/16-18 Finished Hex Nut (zinc)	2
15	5/16-18 x 1 3/4 HHCS	5/16-18 x 1 3/4 Hex Head Cap Screw (zinc)	2
16	2580306	Ergo Scale Mount - 1.5" High	1
16	3530396	Ergo Scale Mount - 6.5" High	1
17	1/4-20 x 3/4 HHCS	1/4-20 x 3/4 Hex Head Cap Screw Grade 5 (zinc)	2
18	1/4 LW	1/4 Lock Washer (zinc)	2
19	1/4 FW SAE	1/4 Flat Washer SAE (zinc)	2
20	1/2-13 x 2 1/2 HHCS	1/2-13 x 2 1/2 Hex Head Cap Screw Grade 5 (zinc)	1
21	1/2 FW	1/2 Flat Washer (zinc)	2
 <u>FULL ASSEMBLY</u>			
22	3530402	ELDR Scale Swing Out Bracket Assembly	1
23	3530403	DH / RH Scale Swing Out Bracket Assembly	1
24	3530404	Ergo Scale Swing Out Bracket 1.5" Assembly	1
24	3530405	Ergo Scale Swing Out Bracket 6.5" Assembly	1
25	3530406	ED / ER Scale Swing Out Bracket Assembly	1

QUICK-CLAW SAFETY RESTRAINT SYSTEM ASSEMBLY



QUICK-CLAW SAFETY RESTRAINT SYSTEM PARTS LIST

<u>ITEM</u>	<u>PART NO.</u>	<u>DESCRIPTION</u>	<u>QTY</u>
1	QCH2.5	Cam Housing	2
2	QCC2.5	Single Cams	2
3	3/4 x 3 SSS	3/4 x 3 Socket Shoulder Screw 5/8-11 Thread (alloy)	2
4	3/4 FW SAE	3/4 Flat Washer SAE (zinc)	2
5	5/8 FW SAE	5/8 Flat Washer SAE (zinc)	2
6	5/8-11 SLN	5/8-11 Stover Lock Nut (zinc)	2
7	KH100799	Spring (zinc)	4
8	QCFPS	Front Fork Pocket Support	2

ASSEMBLY

QCKIT-EG3/4 All parts required for customer installed QUICK-CLAW option for EG3 & EG4 models

NOTE: Installation of these parts require 43" fork pocket length along with welding of front fork pocket supports and cam housings.

Eagle-Grip™ Attachment Operator Daily Inspection Checklist

Has the attachment been properly secured to the lift truck by means of a safety chain to prevent a slippage accident? YES NO

Is any hardware loose or missing from the attachment, such as: head adjustment pins & clips, pins & cotter pins, springs, or bolts? YES NO

If equipped with a belt kit, is the belt torn, missing, or not adjusted properly on the attachment? YES NO

Does the attachment appear to have any cracked welds or appear to be unsafe to use? YES NO

Has the operator read the operation manual and been trained in the use of the attachment? YES NO

COMMENTS:

Eagle-Grip™ Attachment Maintenance Monthly Checklist

	OK	NEEDS REPAIR
Look for cracked welds on frame work.	<input type="checkbox"/>	<input type="checkbox"/>
Flip attachment forward to inspect the ends of fork pockets for weld cracks.	<input type="checkbox"/>	<input type="checkbox"/>
Check the safety chain and safety latch for wear and missing parts.	<input type="checkbox"/>	<input type="checkbox"/>
Inspect heads for loose or missing pins, cotter pins, trunion bolts, springs, pins, and replace as necessary.	<input type="checkbox"/>	<input type="checkbox"/>
Lubricate clamping mechanisms.	<input type="checkbox"/>	<input type="checkbox"/>
Check optional belts for wear and adjust for proper tension	<input type="checkbox"/>	<input type="checkbox"/>

Annually:

Replace all springs. OK NEEDS REPAIR

Check to verify that specification data plates are affixed to the attachment. OK NEEDS REPAIR

Every Three Years:

Replace all pins and links OK NEEDS REPAIR

Date of Inspection: _____

Serial Number: _____

Name of Inspector: _____