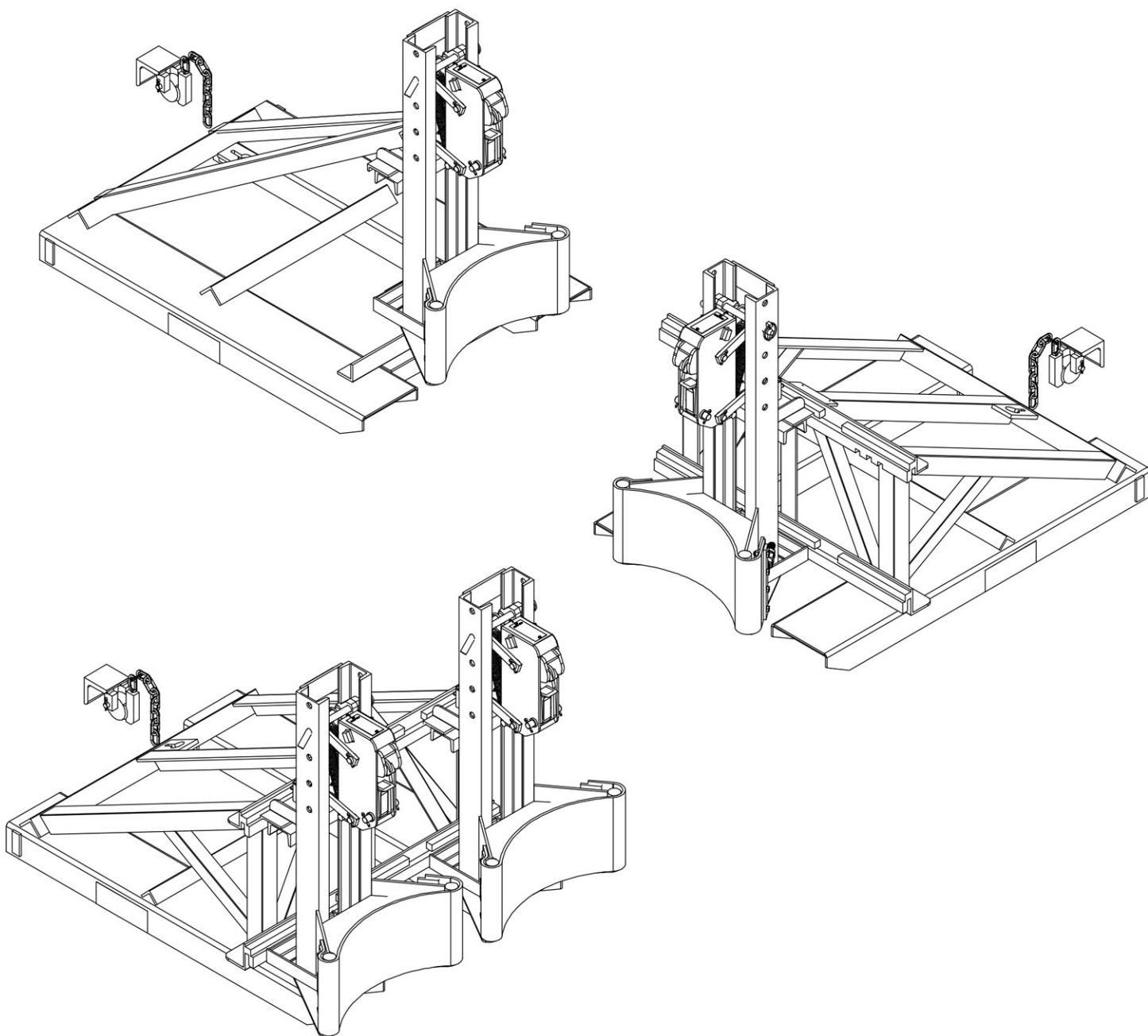


Easy Lift Equipment Co., Inc.

2 Mill Park Court, Newark, Delaware 19713 - Phone: 800-233-1800 / 302-737-7000

EAGLE-GRIP® 3 SERIES ATTACHMENTS OPERATION & MAINTENANCE INSTRUCTIONS



EASY LIFT EQUIPMENT EAGLE GRIP 3™ SERIES ATTACHMENTS

INTRODUCTION

The Eagle-Grip™ 3 series of lift truck attachments utilize a heavy-duty single automatic clamping mechanism for handling any size steel or plastic chimed drum. The fork pockets and safety chain provide a quick and easy connection to any lift truck. The specification plate affixed to each attachment provides the following information: model number, serial number, attachment weight, and lifting capacity. **Please verify with your local forklift dealer that your lift truck, counter-balanced walkie stacker, or walkie straddle stacker is certified and tagged properly for this attachment.**

This manual contains information to instruct you on the proper use and maintenance of your Easy Lift Equipment unit. This manual should be available to all personnel working with the machine. Follow the maintenance procedures carefully to ensure a safe and reliable service life. Do not operate your equipment until you have read and understood these instructions.

COMMISSIONING YOUR EAGLE GRIP 3 SERIES ATTACHMENT

1. Remove all packing materials, protective strapping, and wood shipping blocks.
2. Perform a visual inspection of the entire unit for damage.
3. Perform any necessary assembly based on the assembly diagrams located in this manual.
4. Drive the lift truck to position the forks inside the attachment.
5. Secure the attachment to the lift truck by connecting the safety chain to the forklift carriage. The end of the chain is equipped with a snap hook, so generally the chain is looped around the carriage and the snap hook is connected to the chain to form a loop.
6. The carriage mount version of this attachment will attach directly to any lift truck with an ITA Class II carriage. Lower the lift truck carriage close to the ground. Pull up the locking pin on the top rail of the attachment. Hook the top rail of the attachment over the top rail of the carriage. Slide the attachment so the cleat on the lower rail can pass through the cutout on the lower carriage rail and seat. Slide the attachment to the desired location along the rail. Push the locking pin back down to ensure the attachment is mounted securely to the lift truck carriage.

DAILY SAFETY INSPECTION

Do not operate your Eagle-Grip™ 3 series attachment if you notice any unsafe condition(s) that may have been caused by an accident or malfunction. Immediately report this condition to your supervisor.

1. Perform a visual inspection, checking for loose or damaged springs and jaws.
2. Ensure that safety chain is properly attached to carriage.
3. Ensure locking pins are pushed down and attachment is mounted securely to fork mount carriage.
4. Ensure the operator has read the manual and is properly trained to use the attachment.
5. Observe the condition of the equipment for any other malfunction or defect.

If any of these tests are failed, tag the unit properly to keep it out of service until the problem has been resolved.

SAFETY PRACTICES

1. Do not lift loads that exceed the rated capacity of the unit.
2. During transportation, the drum(s) should only be lifted to a height that is necessary for proper floor clearance.
3. Keep hands and feet clear of the clamping head, lifting area in front of the unit, and the area underneath an elevated drum.
4. Be certain the clamping head(s) have made a secure connection with the chime of the drum before attempting to move or transport a load.

WARNINGS

WARNING: Do not lift or suspend loads over people. Stay clear of suspended loads.

WARNING: Do not attempt to overload the attachment its rated capacity, or raise the drum(s) beyond its maximum lifting height.

WARNING: Never transport the attachment at its maximum lifting height.

WARNING: Keep hands and feet away from the pinch points, mast channels, clamp and springs.

WARNING: Do not leave unit outside in rain, snow, etc., for extended periods.

WARNING: Never leave the unit unattended with a suspended load.

WARNING: Never wash the unit down. The unit is designed to be wiped down by hand.

WARNING: Do not make alterations or modifications to the unit without Easy Lift Equipment authorization.

EAGLE GRIP 3 SERIES ATTACHEMENTS OPERATING INSTRUCTIONS

TO ENGAGE AND TRANSPORT DRUMS:

1. Center the attachment clamping mechanisms with center of drum(s). Drive the lift truck forward until the attachment contacts the drum(s).
2. Raise the carriage to engage the clamping mechanisms with the chimes of the drum(s). The lift truck can now be driven to transport the drum(s).
3. Tilt the mast forward, then lower the carriage until the upper clamping jaw in the clamping mechanism has retracted completely. The lift truck operator can now back away.

TO ADJUST CLAMPING HEAD FOR VARIOUS DRUM HEIGHTS:

1. Lower the carriage as far as possible.
2. Remove adjustment pin, and lower or raise the clamping mechanism so that the lower jaw is slightly below the bead or rim of the drum. It is advisable to have the cradle touching the lowest possible point of the drum that still permits engaging the drum. The second hole is suited for 55-gallon drums.

WHEN USING SLIDE-ON FORK MOUNTING WITH THE OPTIONAL QUICK-CLAW SAFETY RESTRAINT SYSTEM

The patented "Quick Claw" cam locks hold the forks of the forklift securely to the attachment. This option prevents any chance of sliding off during sudden stops. This also eliminates the need for the operator to dismount the lift truck to secure or unsecure the standard safety chain provided on all Eagle-Grip™ attachments. Unique rotating cams bind to the heel of each fork when lifted off the ground. When the cam locks meet the floor, they conveniently release the attachment. The fork pockets on all Eagle-Grip™ series attachments equipped with Quick-Claw cams are 43" in length. This 43" length is designed for use on lift trucks equipped with 42" length forks. The cam locks need to be in a position where the heel of the forks is between 1.25" and 1.75" thick. The lift truck forks should be inspected prior to using the quick-claw attachment to verify the fork thickness.

In the event the lift truck is equipped with 48" forks, 49" fork pockets will be necessary for proper operation. If the attachment is not built to accommodate 48" length forks, the cam-locks on the Quick-Claw option may not function properly.

SCALE EQUIPPED MODELS (GRIP & WEIGH ATTACHMENTS)

If your equipment has a scale system, the indicator has already been calibrated and tested before leaving the factory. It has been disconnected and packaged separately for safe travel. Unpack the indicator from the box and mount to the unit on the provided bracket. Connect the indicator cable to the unit cable by screwing the male and female ends together. Turn on the indicator and ensure it reads zero before engaging a drum. If handling liquids in a drum, it may take up to one minute for the indicator to settle on a specific weight. To speed up this process it is recommended to set the indicator to a lower sensitivity. This can be achieved by programming the indicator to read in .5 pounds or .25 kilograms. If set to read in 1.0 or .5 kg. increments it will take less time for the indicator to settle-down on a specific weight. Please refer to the manual of the specific indicator for proper operation instructions.

Eagle-Grip™ Series Attachment Maintenance Checklist

			Maintenance Intervals			
			1 Mo	6 Mo	12 Mo	3 Yrs
Structural Steel:	1.1	Check for cracked welds on frame		X		
	1.2	Flip attachment forward to inspect the ends of both fork pockets for cracked welds			X	
	1.3	Lubricate the top and bottom rails of the fork mount frame to permit the masts to slide left and right		X		
	1.4	Check masts to see if the 16" distance between the upper and lower supports that slide on the fork mount frame have become separated enough to the of point becoming unattached when lifting a drum			X	
	1.5	Check the safety chain and cam lock for wear and missing parts	X			
	1.6	Check to verify that specification data plates are affixed to the attachment			X	
Clamping Heads:	2.1	Inspect heads for loose or missing pins, cotter pins, springs, pins, and replace as necessary	X			
	2.2	Lubricate clamping mechanisms	X			
Belts:	3.1	Check belts for wear and adjust for proper tension			X	
Pins, Springs, Inner housings, Links:	4.1	Replace all springs			X	
	4.2	Replace all pins, inner housings, and links				X
Optional Quick-Claw	5.1	Check to verify springs are intact and functioning properly			X	
	5.2	Lubricate cam to prevent rust	X			

**The maintenance intervals refer to normal service conditions. In case of aggravated conditions, the intervals must be reduced/increased as required.

Easy Lift Equipment Co., Inc.

2 Mill Park Court, Newark, Delaware 19713 - Phone: 800-233-1800 / 302-737-7000

CLAMPING HEAD OR ATTACHMENT PREVENTATIVE MAINTENANCE EXCHANGE & REFURBISHMENT PROGRAM

This service is designed to provide customers with an easy to use preventative maintenance & refurbishment program to achieve the best performance and maximum service life. The clamping mechanism(s) should have regular preventative maintenance service in addition to required visual inspections, belt replacement, and monthly lubrication. The intervals between services are dependent upon usage but should generally be done at least once every year.

Loaner clamping head(s) or full attachment are provided free of charge however the customer is responsible for all shipping costs incurred. Loaner attachments and clamping mechanisms are finished in a different color to ensure identification as loaner units.

HOW IT WORKS:

- Contact Easy Lift Equipment or your local dealer to obtain a return authorization number for your clamping head(s) or full attachment. If needed a loaner clamping head(s) or attachment will be shipped to your site to minimize down time while your equipment is being serviced
- Clamping head(s) only: remove the clamping head assembly from mast by removing the circle cotter clip from the adjustment pin and pulling the adjustment pin out. Slide the entire clamping head assembly up and out of the mast and reinsert the adjustment pin and circle cotter pin.
- Ship the original clamping head(s) or full attachment to Easy Lift Equipment in the same box, container, or pallet that the loaner was received. Be sure to display the return authorization number and company name on the outside of the box, container, or pallet.
- The clamping head(s) or full attachment will be disassembled and assessed so a maintenance quote can be provided for approval. Costs are determined by the required parts, labor, and requested services or additional features.
- **SCOPE OF WORK TO BE PERFORMED:** Clean and lubricate all necessary pins. (Sandblasting, welding, and re-powder coating is available upon request). Replace springs, jaws, cotter pins, or any worn parts. Reassemble clamping head(s) or full attachment.
- Upon completion and approval, the clamping head(s) or full attachment will be returned to the customer. The loaner clamping mechanism or attachment should be promptly returned to Easy Lift Equipment.

The customer is responsible for all charges including but not limited to:

1. Parts & labor required for refurbishment or preventative maintenance.
2. Shipping to and from the company's location.
3. Loss, damage, or repair(s) to the loaner equipment.

Should you have any questions regarding this program, please call customer service at 800-233-1800 ext. 3, or your local dealer for clarification.

Model	Capacity (lbs/kg)	Weight (lbs/Kg)	H x L x W (inches) (mm)		Drums Handled	Description
EG3SCM-CM	1500/680	85/39	33x15x18	838x381x457	1	Carriage Mount
EG3SCMSRC-CM	1500/680	85/39	33x15x18	838x381x457	1	Carriage Mount
EG3SCM-NF	1500/680	228/104	37x47x24	940x1194x610	1	Narrow Fork Mount
EG3SCMSRC-NF	1500/680	228/104	37x47x24	940x1194x610	1	Narrow Fork Mount
EG3SCM-NFQC	1500/680	316/143	42x47x24	1067x1194x610	1	Narrow Fork Mount/Quick Claw
EG3SCMSRC-NFQC	1500/680	316/143	42x47x24	1067x1194x610	1	Narrow Fork Mount/Quick Claw
EG3SCM-F	1500/680	306/139	37x47x33	940x1194x838	1	Adjustable Fork Mount
EG3SCMSRC-F	1500/680	306/139	37x47x33	940x1194x838	1	Adjustable Fork Mount
EG3SCM-FQC	1500/680	394/179	42x47x33	1067x1194x838	1	Adjustable Fork Mount/Quick Claw
EG3SCMSRC-FQC	1500/680	394/179	42x47x33	1067x1194x838	1	Adjustable Fork Mount/Quick Claw
EG3SCM2-F	3000/1361	382/173	37x47x33	940x1194x838	1 or 2	Adjustable Fork Mount
EG3SCMSRC2-F	3000/1361	382/173	37x47x33	940x1194x838	1 or 2	Adjustable Fork Mount
EG3SCM2-FQC	3000/1361	470/213	42x47x41	1067x1194x1042	1 or 2	Adjustable Fork Mount/Quick Claw
EG3SCMSRC2-FQC	3000/1361	470/213	42x47x41	1067x1194x1042	1 or 2	Adjustable Fork Mount/Quick Claw
EG3SCM4-F	6000/2722	748/340	30x47x86	762x1194x2165	1,2,3 or 4	Adjustable Fork Mount
EG3SCMSRC4-F	6000/2722	748/340	30x47x86	762x1194x2165	1,2,3 or 4	Adjustable Fork Mount
EG3SCM4-FQC	6000/2722	836/380	35x47x86	889x1194x2165	1,2,3 or 4	Adjustable Fork Mount/Quick Claw
EG3SCMSRC4-FQC	6000/2722	836/380	35x47x86	889x1194x2165	1,2,3 or 4	Adjustable Fork Mount/Quick Claw

* All Carriage Mount models are made to fit a Class II carriage unless otherwise specified

LOST LOAD CENTER:

The distance from the tip of the forks to the center of the drum (excludes CM models)

MODEL NUMBER

EG3SCM-CM & EG3SCMSRC-CM

23" from carriage to center of drum

12" from carriage to beginning of drum

EG3SCM-NF & EG3SCMSRC-NF

12" from end of pockets to center of drum

EG3SCM-NFQC & EG3SCMSRC-NFQC

12" from end of pockets to center of drum

EG3SCM-F & EG3SCMSRC-F

13" from end of pockets to center of drum

EG3SCM-FQC & EG3SCMSRC-FQC

13" from end of pockets to center of drum

EG3SCM2-F & EG3SCMSRC2-F

13" from end of pockets to center of drum

EG3SCM2-FQC & EG3SCMSRC2-FQC

13" from end of pockets to center of drum

EG3SCM4-F & EG3SCMSRC4-F

13" from end of pockets to center of drum

EG3SCM4-FQC & EG3SCMSRC4-FQC

13" from end of pockets to center of drum

VERTICAL CENTER OF GRAVITY:

The distance measured from the bottom of the attachment to the center point of the carriage mount at which it balances.

MODEL NUMBER

EG3SCM-CM & EG3SCMSRC-CM

15"

EG3SCM-NF & EG3SCMSRC-NF

10" (w/43" Fork Pockets)

EG3SCM-NFQC & EG3SCMSRC-NFQC

13" (w/43" Fork Pockets)

EG3SCM-F & EG3SCMSRC-F

10" (w/43" Fork Pockets)

EG3SCM-FQC & EG3SCMSRC-FQC

13" (w/43" Fork Pockets)

EG3SCM2-F & EG3SCMSRC2-F

12" (w/43" Fork Pockets)

EG3SCM2-FQC & EG3SCMSRC2-FQC

15" (w/43" Fork Pockets)

EG3SCM4-F & EG3SCMSRC4-F

11" from end of pockets to center of drum

EG3SCM4-FQC & EG3SCMSRC4-FQC

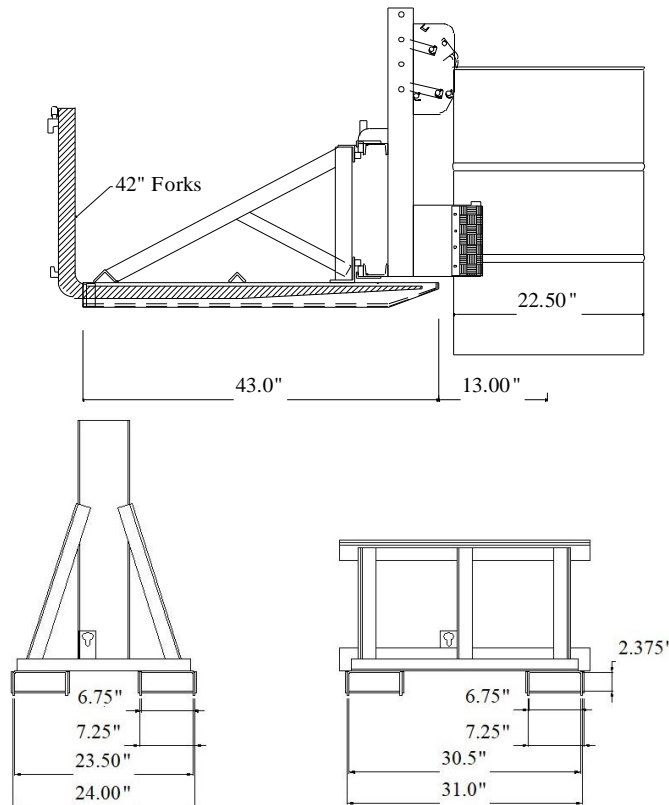
11" from end of pockets to center of drum

HORIZONTAL CENTER OF GRAVITY:

The distance or point that is measured between the beginning of the fork pockets to a middle point of the attachment which the attachment balances.

MODEL NUMBER

EG3SCM-CM & EG3SCMSRC-CM	6.25" from face of carriage
EG3SCM-NF & EG3SCMSRC-NF	30" (w/43" Fork Pockets)
EG3SCM-NFQC & EG3SCMSRC-NFQC	28" (w/43" Fork Pockets)
EG3SCM-F & EG3SCMSRC-F	30" (w/43" Fork Pockets)
EG3SCM-FQC & EG3SCMSRC-FQC	28" (w/43" Fork Pockets)
EG3SCM2-F & EG3SCMSRC2-F	31.5" (w/43" Fork Pockets)
EG3SCM2-FQC & EG3SCMSRC2-FQC	29.5" (w/43" Fork Pockets)
EG3SCM4-F & EG3SCMSRC4-F	34" (w/43" Fork Pockets)
EG3SCM4-FQC & EG3SCMSRC4-FQC	32" (w/43" Fork Pockets)



FOR PARTS, SERVICE OR TECHNICAL QUESTIONS CALL:

Easy Lift Equipment
2 Mill Park Ct.
Newark, DE. 19713
800-233-1800 ; 302-737-7000
FAX: 302-737-7333
www.easylifteqpt.com
Email: sales@easylifteqpt.com

Easy Lift Equipment Co., Inc.

2 Mill Park Court, Newark, Delaware 19713 - Phone: 800-233-1800 / 302-737-7000

EASY LIFT EQUIPMENT WARRANTY POLICY FOR MODELS WITH PREFIXES: ED/ER/EL/ELDR/EG & RCR

Easy Lift Equipment (“ELE”) warrants each new product to be free from factory material and workmanship defects, under normal use with proper maintenance, for a period of 12 months. Warranty coverage for this warranty period is provided by authorized dealers and includes parts. Labor is covered for the same periods of 12 months as outlined above. Please call ELE for the authorized repair dealer in your area.

ELE shall be the sole judge of the validity of any claim or defect and may elect to make any replacement or repair of any part thereof that it has agreed to be defective. Wearable Items such as: hoses, bearings, belts, brushes, seals, lift motors, clamp motors, relays, fuses, springs and wheels are wear items not covered under the warranty policy. ELE assumes no responsibility whatsoever to work done, parts replaced, or expenses incurred not specifically authorized by ELE. Normal maintenance or replacement of service items is not covered by this warranty. No warranty claims will be considered for customers with any delinquent outstanding balance. When batteries, battery chargers, scale printers or scale indicators are purchased from ELE with the equipment, the original manufacturer’s warranty applies.

WARRANTY LIMITATION/DISCLAIMERS:

Easy Lift Equipment reserves the right to void warranty coverage if the unit has been overloaded beyond rated capacity; damaged due to: abuse, misuse, neglect, accidents, freight damage, improper usage, improper repair, and/or improper storage; or any modification or repair conducted in a manner not approved by Easy Lift Equipment. Equipment used in freezers, abrasive, corrosive, and/or excessively moist conditions must be properly equipped for the environment to ensure the warranty is not voided. Warranty questions and claims should be directed to our customer service department. ELE customer service representatives will help you assess and resolve the claim or assist you in contacting the local authorized dealer or representative. The warranty described here shall constitute the sole remedy of the authorized dealer and/or the initial purchaser. ELE neither assumes nor authorizes any person to assume for it any other obligation or responsibility in connection with this product warranty. In no event shall ELE be responsible for direct, indirect, special or consequential damages or any other delay or any economic or commercial loss resulting from Easy Lift Equipment’s performance or non-performance under this warranty. This warranty is expressly in lieu of all warranties, obligations or responsibilities of ELE dealers or other authorized source, expressed, implied or statutory.

SUBMITTING CLAIMS:

To make a claim under this policy, please contact Easy Lift Equipment for assistance. We can be reached by calling 800-233-1800 ext. 4 for customer service or by writing to sales@easylifteqpt.com. Do not return defective parts unless a return authorization (RA) has been provided requesting the return. If requested, we will provide shipping information on how the part should be returned and bear the expense for the return shipping, if the part is proven to be defective. A copy of the work order made at the time of the repair and parts claimed under warranty may be requested for ELE’s inspection.

ORDERING PARTS:

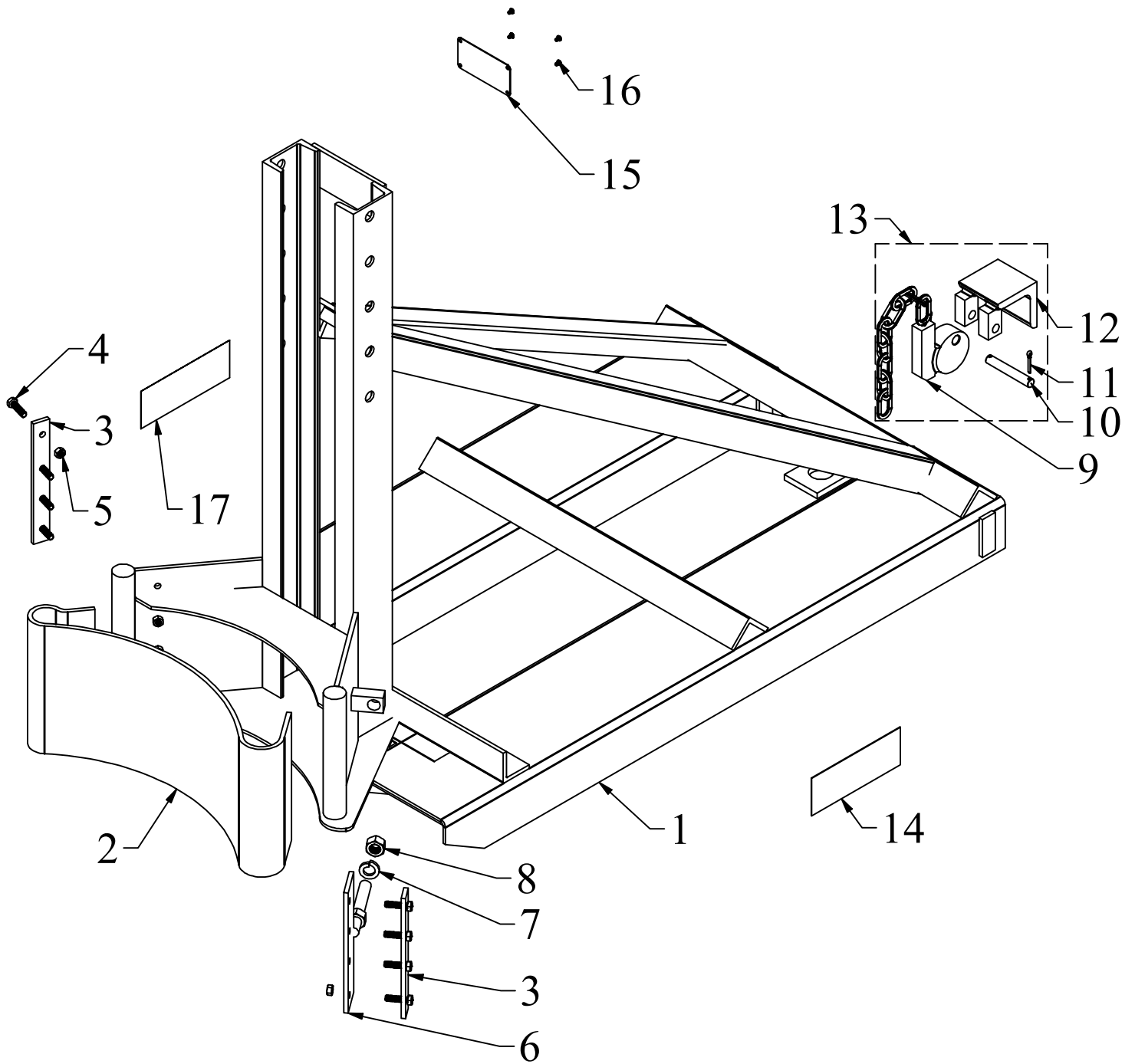
Easy Lift Equipment’s parts are distributed through our customer service department and ship the same day as ordered whenever possible. You will be well taken care of whenever parts, adjustments or repairs are needed. **When contacting ELE, please be sure to state the model and serial number for the equipment.** There is no cost for electronic copies of replacement manuals, parts lists and other general information containing part numbers and nomenclature. Most manuals contain parts pricing, but it is not guaranteed to be valid as parts pricing can change at any time without notice. Any customer service representative can provide timely parts quotations upon request. Adherence to above procedure will save time and provide prompt assistance when it counts. You are of course always welcome to bring to us any questions, comments or recommendations pertaining to your Easy Lift Equipment products.

MANUFACTURER CONTACT INFORMATION:

Easy Lift Equipment Co., Inc.
2 Mill Park Ct.
Newark, DE 19713
Email: sales@easylifteqpt.com

Phone: 800-233-1800: 302-737-7000
Fax: 302-737-7333
Website: www.easylifteqpt.com

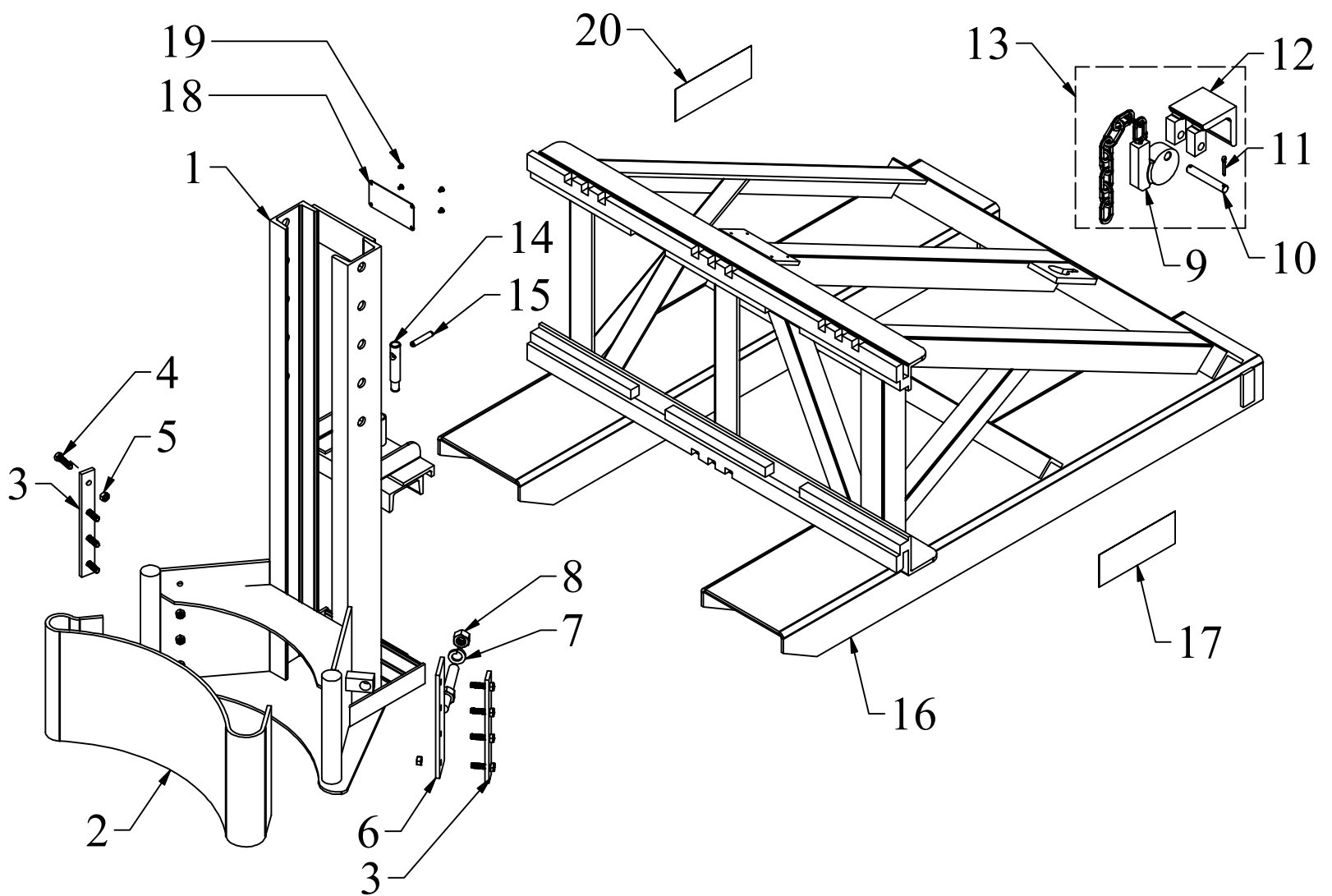
HEAVY DUTY SINGLE DRUM NARROW FRAME ASSEMBLY



**HEAVY DUTY SINGLE DRUM NARROW FRAME
PARTS LIST**

<u>ITEM</u>	<u>PART NO.</u>	<u>DESCRIPTION</u>	<u>QTY</u>
1	EGNF	Narrow Fork Mount Frame for EG3 & EG4	1
1	EGNFQC	Narrow Fork Mount Frame with Quick-Claw for EG3 & EG4	1
2	3516	Rubber Belt	1
2	3516SC	Anti-Static Rubber Belt	1
2	2516	Composite Belt	1
3	12200-4	Belt Clamp (Yellow Powder Coating)	2
4	5/16-18 X 1 1/4 HHCS	5/16-18 x 1 1/4 Hex Head Cap Screw Grade 5 (zinc)	8
5	5/16-18 HN	5/16-18 Finished Hex Nut (zinc)	8
6	6902	Adjusting Rod for Belt Clamp	1
7	5/8 LW	5/8 Lock Washer (zinc)	1
8	5/8-11 HN	5/8-11 Finished Hex Nut (zinc)	2
9	0504D	Cam, Cam Lock	1
10	4006-1	Pin, Cam Lock	1
11	6006-CP	Cotter Pin, 5/32" x 1" (zinc)	2
12	0504A	Clamp, Cam Lock (zinc)	1
13	504	Safety Chain & Cam Lock Assembly	1
14	ADART002	Attention Read Operations Manual Decal	1
15	MCL007031	Specification Plate	1
16	6 x 1/4 RUDS-SS	6 x 1/4 Round Head U Drive Screw (stainless steel)	4
17	ADART015	ELE Address Decal (Horizontal)	1

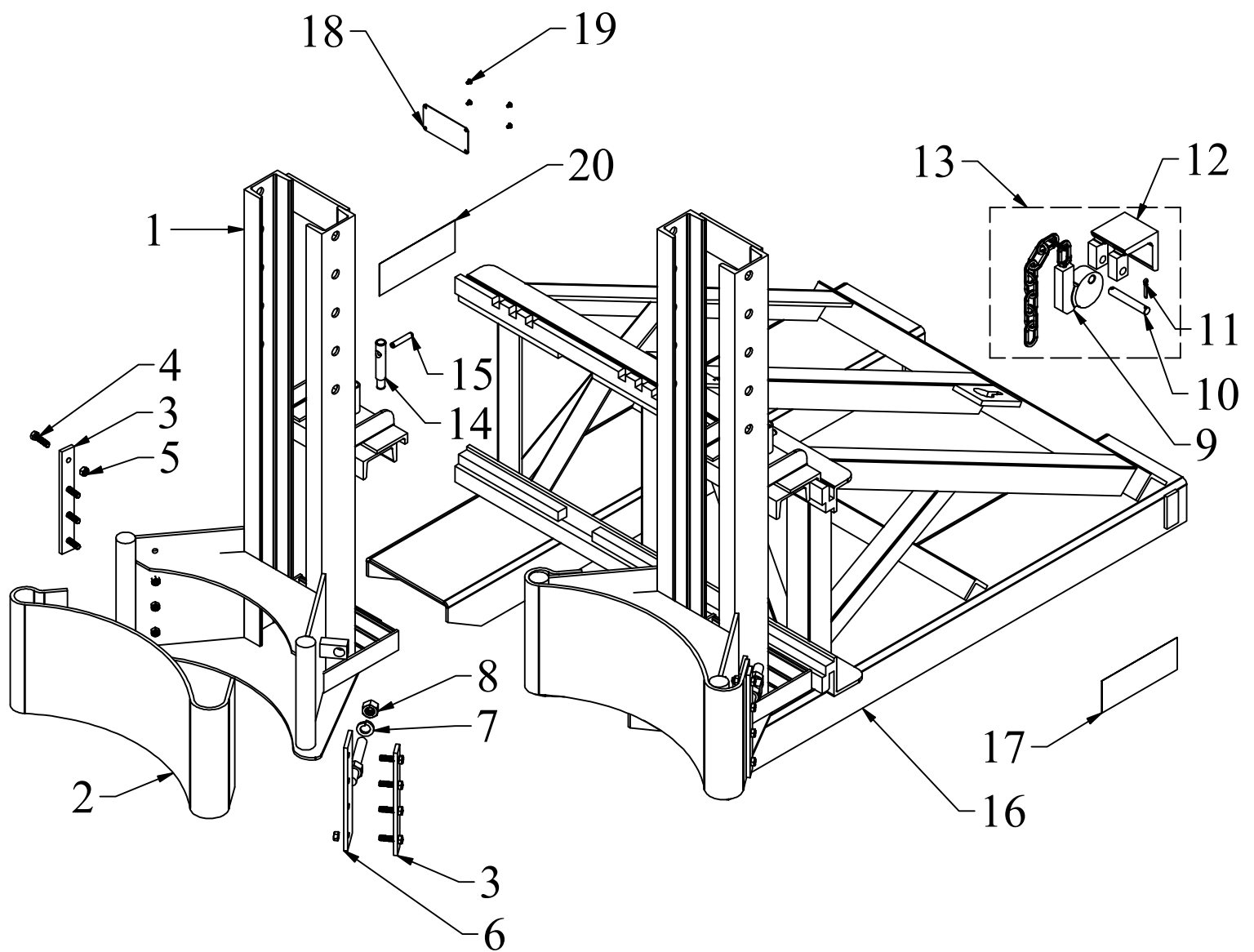
HEAVY DUTY SINGLE DRUM FRAME ASSEMBLY



HEAVY DUTY SINGLE DRUM FRAME PARTS LIST

<u>ITEM</u>	<u>PART NO.</u>	<u>DESCRIPTION</u>	<u>QTY</u>
1	4902	Belt Cradle Frame - 5 hole (Belt Incl.)	1
1	4902-3	Belt Cradle Frame - 3 hole (Belt Incl.)	1
2	3516	Rubber Belt	1
2	2516	Composite Belt	1
3	12200-4	Belt Clamp (Yellow Powder Coating)	2
4	5/16-18 X 1 1/4 HHCS	5/16-18 x 1 1/4 Hex Head Cap Screw Grade 5 (zinc)	8
5	5/16-18 HN	5/16-18 Finished Hex Nut (zinc)	8
6	6902	Adjusting Rod for Belt Clamp	1
7	5/8 LW	5/8 Lock Washer (zinc)	1
8	5/8-11 HN	5/8-11 Finished Hex Nut (zinc)	2
9	0504D	Cam, Cam Lock	1
10	4006-1	Pin, Cam Lock	1
11	6006-CP	Cotter Pin, 5/32" x 1" (zinc)	2
12	0504A	Clamp, Cam Lock (zinc)	1
13	504	Safety Chain & Cam Lock Assembly	1
14	1506	Roll Pin for Carriage Lock # 360061 (zinc)	1
15	36006-1	Pin, Lock to Carriage	1
16	2208	Slide on Mount Frame for EG3 & EG4 - 43" Length	1
16	2208QC	Slide on Mount Frame with Quick-Claw for EG3 & EG4 - 43" Length	1
16	2208-49	Slide on Mount Frame for EG3 & EG4 - 49" Length	1
16	2208-49QC	Slide on Mount Frame with Quick-Claw for EG3 & EG4 - 49" Length	1
17	ADART002	Attention Read Operations Manual Decal	1
18	MCL007031	Specification Plate	2
19	6 x 1/4 RUDS-SS	6 x 1/4 Round Head U Drive Screw (stainless steel)	8
20	ADART015	ELE Address Decal (Horizontal)	1

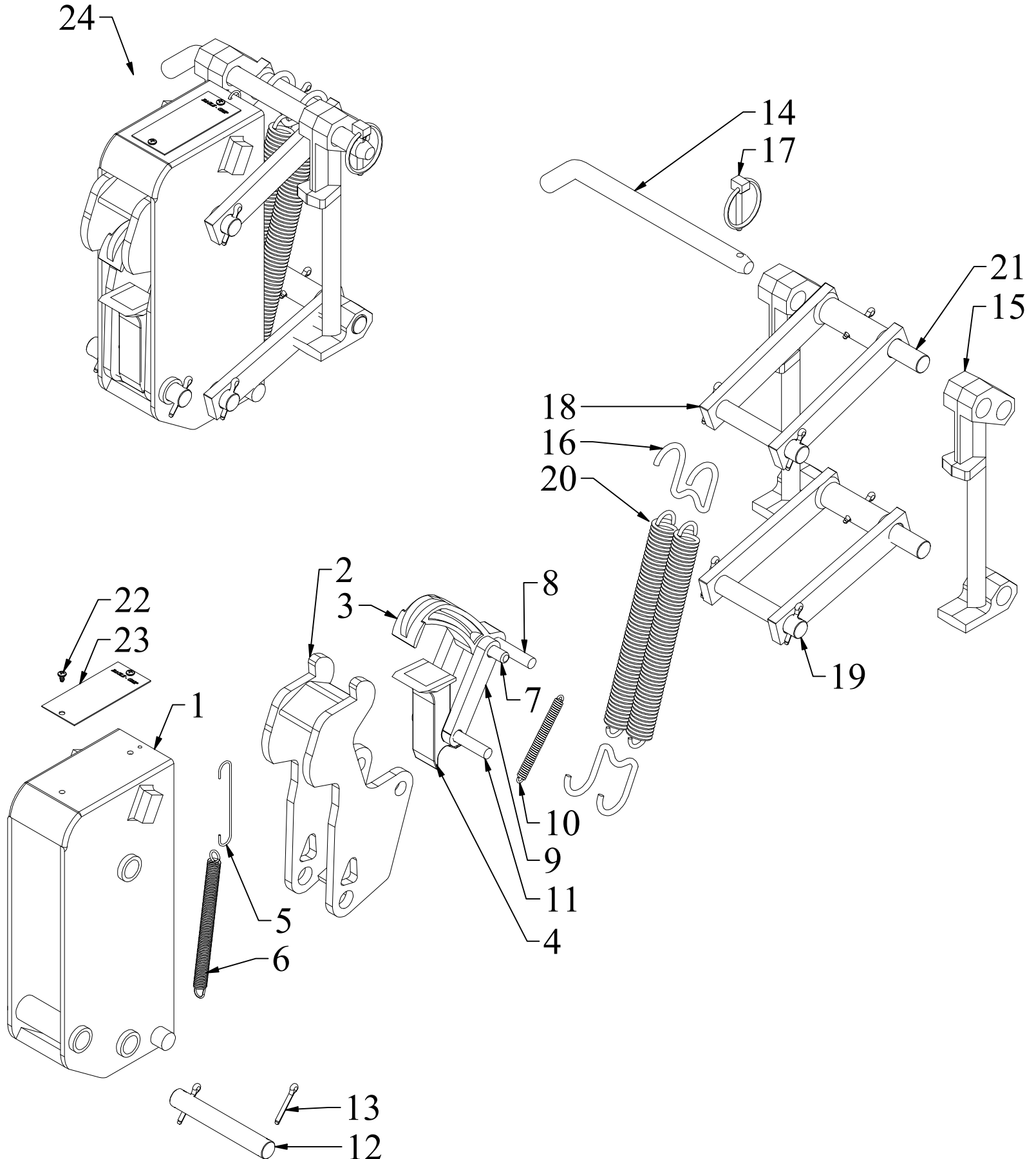
HEAVY DUTY DOUBLE DRUM FRAME ASSEMBLY



HEAVY DUTY DOUBLE DRUM FRAME PARTS LIST

<u>ITEM</u>	<u>PART NO.</u>	<u>DESCRIPTION</u>	<u>QTY</u>
1	4902	Belt Cradle Frame - 5 hole (Belt Incl.)	2
1	4902-3	Belt Cradle Frame - 3 hole (Belt Incl.)	2
2	3516	Rubber Belt	2
2	2516	Composite Belt	2
3	12200-4	Belt Clamp (Yellow Powder Coating)	4
4	5/16-18 X 1 1/4 HHCS	5/16-18 x 1 1/4 Hex Head Cap Screw Grade 5 (zinc)	16
5	5/16-18 HN	5/16-18 Finished Hex Nut (zinc)	16
6	6902	Adjusting Rod for Belt Clamp	2
7	5/8 LW	5/8 Lock Washer (zinc)	2
8	5/8-11 HN	5/8-11 Finished Hex Nut (zinc)	4
9	0504D	Cam, Cam Lock	1
10	4006-1	Pin, Cam Lock	1
11	6006-CP	Cotter Pin, 5/32" x 1" (zinc)	2
12	0504A	Clamp, Cam Lock (zinc)	1
13	504	Safety Chain & Cam Lock Assembly	1
14	1506	Roll Pin for Carriage Lock # 360061 (zinc)	2
15	36006-1	Pin, Lock to Carriage	2
16	2208	Slide on Mount Frame for EG3 & EG4 - 43" Length	1
16	2208QC	Slide on Mount Frame with Quick-Claw for EG3 & EG4 - 43" Length	1
16	2208-49	Slide on Mount Frame for EG3 & EG4 - 49" Length	1
16	2208-49QC	Slide on Mount Frame with Quick-Claw for EG3 & EG4 - 49" Length	1
17	ADART002	Attention Read Operations Manual Decal	1
18	MCL007031	Specification Plate	1
19	6 x 1/4 RUDS-SS	6 x 1/4 Round Head U Drive Screw (stainless steel)	4
20	ADART015	ELE Address Decal (Horizontal)	1

EG3 HEAVY DUTY SINGLE CLAMPING MECHANISM ASSEMBLY



EG3 HEAVY DUTY SINGLE CLAMPING MECHANISM PARTS LIST

<u>ITEM</u>	<u>PART NO.</u>	<u>DESCRIPTION</u>	<u>QTY</u>
1	1202	Outer Housing (Black Powder Coating)	1
1	1202SS	Outer Housing (Stainless Steel-Non-Sparking)	1
2	7902	Inner Housing (Black Powder Coating)	1
2	7902SS	Inner Housing (Stainless Steel - Non-Sparking)	1
3	1007SS	Stainless Steel Upper Clamp Jaw (Spark Resistant)	1
3	1007M	Mauser Upper Clamp Jaw (Black Powder Coating)	1
4	5107SS	Stainless Steel Lower Clamp Jaw (Non-Sparking)	1
4	5107M	Mauser Lower Clamp Jaw (Black Powder Coating)	1
5	9996	Hook, Housing Spring (Stainless Steel)	1
6	2206	Housing to Housing Spring (zinc)	1
7	72041	3/8" x 1-1/2" Pin, Link to Upper Jaw (zinc)	1
8	10061	1/2" x 2.182" Pin, Upper Jaw to Housing (zinc)	1
9	70091	Link, Jaw to Jaw	2
10	4306	Jaw Spring (zinc)	1
11	62041	3/8" x 2.13" Pin, Link to Lower Jaw (zinc)	1
12	18006-1	Pin, Housing to Housing (zinc) (HP10-305-E)	1
13	6006-CP	Cotter Pin, 5/32" x 1" (zinc)	8
14	19106-1	Adjustment Pin (zinc)	1
15	1700-7	Adjustment Slide (Black Powder Coating)	2
16	8996	Clevis Spring Hook (Stainless Steel)	2
17	HANG-2	3/16 x 1-3/4 Circle Cotter "Hang 2" (7016)	1
18	3202	EG3 & EG4 Upper Clevis (With 3202P Pin) - 6-1/8" Length	* 2
18	3202DH	EG3 & EG4 Upper Clevis for DH (With 3202P Pin) - 6-5/8" Length	** 2
19	17006-1	Pin, Clevis to Housing (HP10-370-E)	2
20	3206	Spring, Clevis (zinc)	2
21	3202P	Clevis Replacement Pin with Cotter Pin	2
22	6 x 1/4 RUDS-SS	6 x 1/4 Round Head U Drive Screw (stainless steel)	2
23	MCL044991	PM Tag	1
	B-800	12oz White Lithium Grease Can	1

* The Upper and Lower Clevis lengths used for an EG3 on an Eagle-Grip Attachment.

** The Upper and Lower Clevis lengths used for an EG3 on a Drum-Hauler.

FULL ASSEMBLIES

24	6304	EG3 Single Clamping Mechanism (Black Powder Coating)
24	6304SRC	EG3 Single Clamping Mechanism (Stainless Steel - Non-Sparking)
24	6304M	EG3 Mauser Single Clamping Mechanism (Black Powder Coating)

PREVENTATIVE MAINTENANCE KITS

EG3PMKIT	EG3 Preventative Maintenance Kit
EG3RBKIT	EG3 Complete Rebuild Kit

EG3 HEAVY DUTY PREVENTATIVE MAINTENANCE KIT PARTS LIST

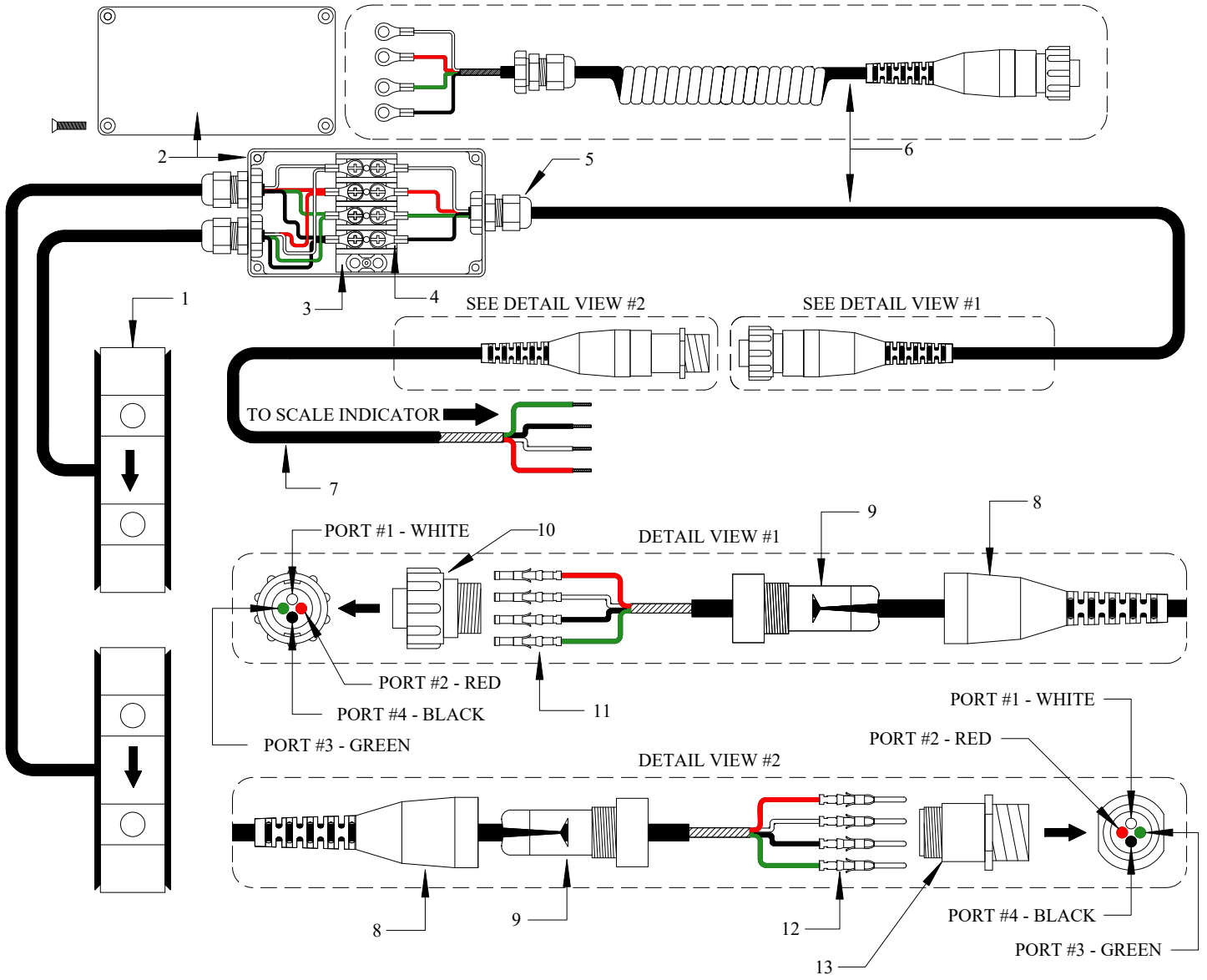
<u>PART NO.</u>	<u>DESCRIPTION</u>	<u>QTY</u>
2206	Housing to Housing Spring (zinc)	1
4306	Jaw Spring (zinc)	1
6006-CP	Cotter Pin, 5/32" x 1" (zinc)	6
HANG-2	3/16 x 1-3/4 Circle Cotter "Hang 2" (7016)	1
3206	Spring, Clevis	2
3516	Rubber Belt	1
WLG	12oz White Lithium Grease	1

EG3 HEAVY DUTY COMPLETE REBUILD KIT PARTS LIST

<u>PART NO.</u>	<u>DESCRIPTION</u>	<u>QTY</u>
7902	Inner Housing (Black Powder Coating)	1
1007	Upper Clamp Jaw (Black Powder Coating)	1
5107	Lower Clamp Jaw (Black Powder Coating)	1
9996	Hook, Housing Spring (Stainless Steel)	1
2206	Housing to Housing Spring (zinc)	1
72041	3/8" x 1-1/2" Pin, Link to Upper Jaw (zinc)	1
10061	1/2" x 2.182" Pin, Upper Jaw to Housing (zinc)	1
70091	Link, Jaw to Jaw	2
4306	Jaw Spring (zinc)	1
62041	3/8" x 2.13" Pin, Link to Lower Jaw (zinc)	1
18006-1	Pin, Housing to Housing (zinc) (HP10-305-E)	1
6006-CP	Cotter Pin, 5/32" x 1" (zinc)	6
8996	Clevis Spring Hook (Stainless Steel)	2
HANG-2	3/16 x 1-3/4 Circle Cotter "Hang 2" (7016)	1
3202	EG3 & EG4 Upper Clevis (With 3202P Pin) - 6-1/8" Length	2
17006-1	Pin, Clevis to Housing (HP10-370-E)	2
3206	Spring, Clevis	2
3516	Rubber Belt	1
WLG	12oz White Lithium Grease	1

THIS PAGE INTENTIONALLY LEFT BLANK

SCALE WIRING ASSEMBLY



SCALE WIRING PARTS LIST

<u>ITEM</u>	<u>PART NO.</u>	<u>DESCRIPTION</u>	<u>QTY</u>
1	HM1000	Load Cell with 4' cable	2
2	CU-124	Terminal Box Enclosure	1
-	7531A34	Two Sided Tape (6" Length)	1
3	7527K64	Terminal Block (Strip) 7/16", 4 circuits	1
4	3A214	Terminal Eyelet	12
5	ZZHEY3208	Cable Fitting	3
6	3530360	Eagle-Grip Scale Cable Assembly (Female End) - 30" Length	1
6	3530351	Scale Cable Assembly (Female End) - 50" Length (48" Mast)	1
6	3530352	Scale Cable Assembly (Female End) - 54" Length (60" Mast)	1
6	3530353	Scale Cable Assembly (Female End) - 60" Length (72" Mast)	1
6	3530354	Scale Cable Assembly (Female End) - 70" Length (84" Mast)	1
6	3530355	Scale Cable Assembly (Female End) - 80" Length (96" Mast)	1
6	3530356	Scale Cable Assembly (Female End) - 90" Length (108" Mast)	1
6	3530357	Scale Cable Assembly (Female End) - 100" Length (120" Mast)	1
6	3530368	Scale Cable Assembly (Female End) - 110" Length (132" Mast)	1
6	3530369	Scale Cable Assembly (Female End) - 120" Length (144" Mast)	1
6	3530358	Scale Coiled Cable Assembly (Female End)	1
7	3530361	Eagle-Grip/Ergo Scale Cable Assembly (Male End) - 24" Length	1
7	3530350	DH/RH, ED/ER, ELDR Scale Cable Assembly (Male End) - 36" Length	1
7	3530379	DH/RH, ED/ER, ELDR Swivel Scale Cable Assembly (Male End) - 48" Length	1
8	AP2074891	Strain Relief	2
9	AP2074901	Cable Grip	2
10	AP2060601	Connector Plug Size 11-4 (Female)	1
11	AP661054	Terminal Socket	4
12	AP661034	Terminal Pin	4
13	AP2061531	Connector Recp CPC 11-4 (Male)	1

Non-Intrinsically Safe Indicators

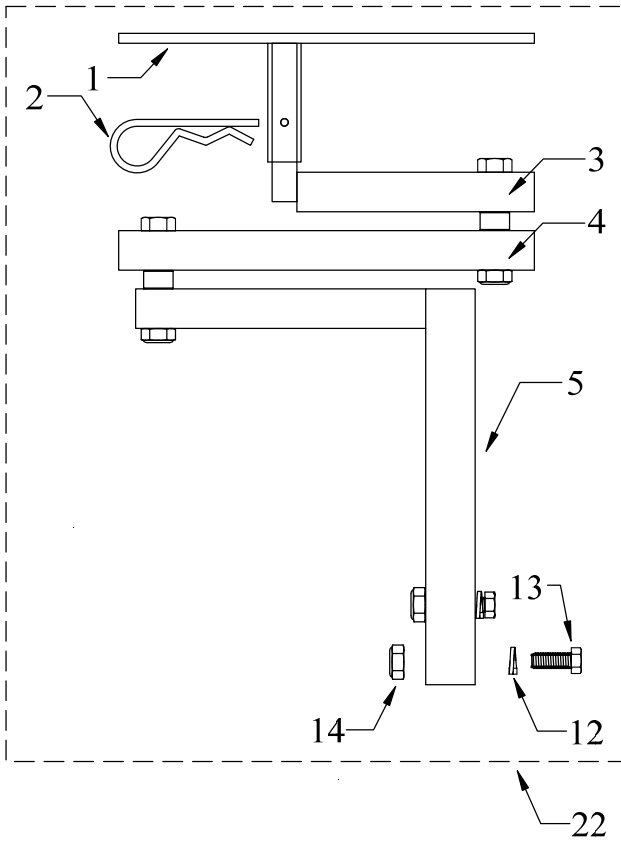
7000XLM	Doran™ 7000XL Non-intrinsically Safe Scale Indicator
SUB0853	Rechargeable Battery, with wire and terminals (2200, 7000, 8000)
2200	Doran™ 2200 Non-intrinsically Safe Scale Indicator (Numeric Keypad)
EXOPT187	Battery Option for Non-Intrinsically Safe 2200 Indicator
164582	Rice Lake 482 Indicator w Internal Battery & Charger
164585	Rice Lake 482 Plus Indicator w Internal Battery & Charger
107708	Rice Lake 720i Indicator

Intrinsically Safe Indicators

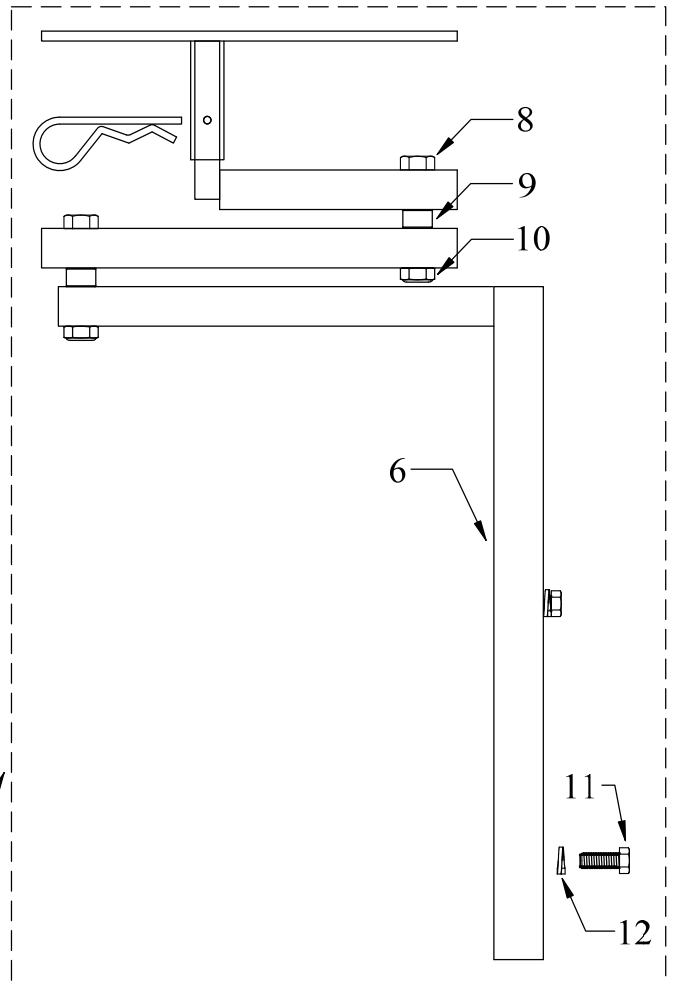
185288	Rice Lake 882IS Indicator w Battery Pack & Safe Area Charger
185291	Rice Lake 882IS PLUS Indicator w Battery Pack & Safe Area Charger
180831	Rice Lake 882IS Battery
194191	Rice Lake 882IS Battery Charger (IS6V2, 100-240 VAC)
72210052	Mettler Toledo IND226x Indicator
72258718	Mettler Toledo IND560x Indicator
64060627	Mettler Toledo EX Indicator Battery (Includes Cable)
64060217	Mettler Toledo Battery Charger (Safe Area, US Plug)

SWIVEL SCALE BRACKET ASSEMBLY

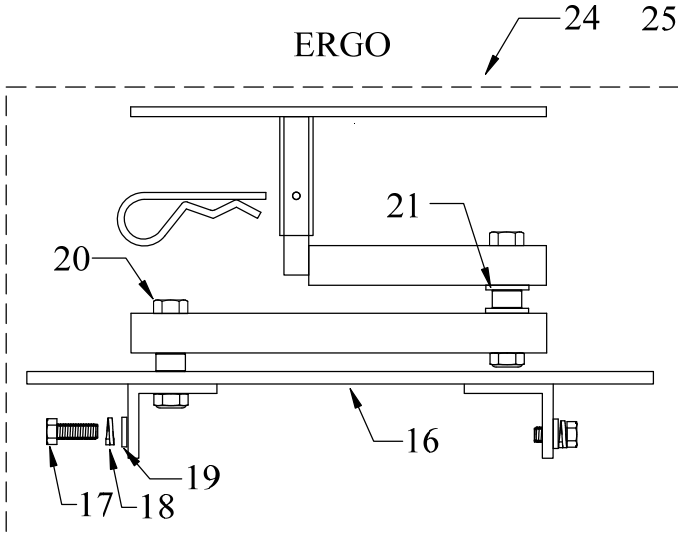
ELDR



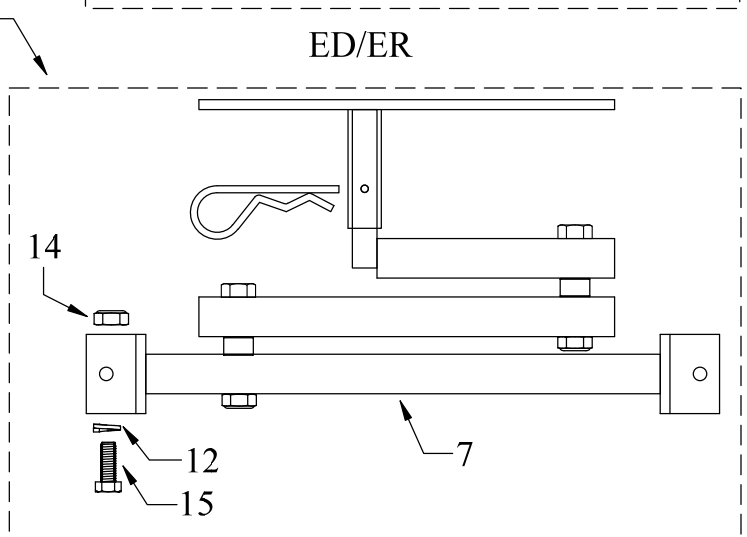
DRUM/ROLL-HAULER



ERGO



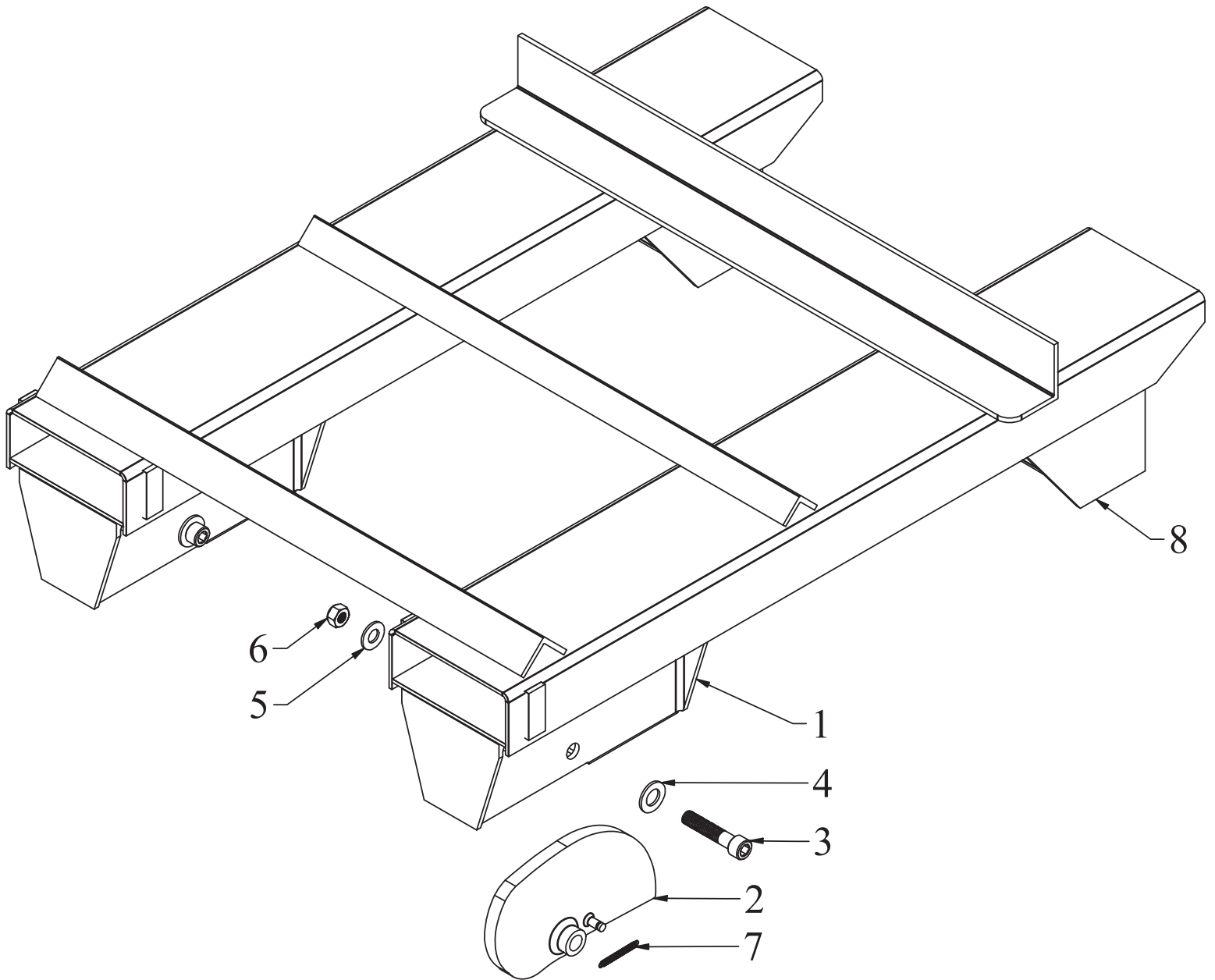
ED/ER



SWIVEL SCALE BRACKET PARTS LIST

<u>ITEM</u>	<u>PART NO.</u>	<u>DESCRIPTION</u>	<u>QTY</u>
1	3530348	Indicator Mount Bracket With Tube	1
2	98335A094	Zinc-plated steel cotter pin, 7/8"-1 D, 3-3/4 L	1
3	2580309	Scale Swing Bracket Post Bracket	1
4	2580308	Scale Swing Bracket Mid Bracket	1
5	2580310	ELDR Swivel Scale Bracket Frame Mount	1
6	3530349	DH Swivel Scale Bracket Base Mount	1
7	2580307	ED Swivel Scale Bracket Frame Mount	1
8	1/2-13 x 3 HHCS	1/2-13 x 3 Hex Head Cap Screw Grade 5 (zinc)	2
9	10001	Bushing, Housing Yolk Trunion (zinc)	2
10	1/2-13 THIN NLN	1/2-13 Nylon Locking Nut (THIN)	2
11	5/16-18 x 3/4 HHCS	5/16-18 x 3/4 Hex Head Cap Screw Grade 5 (zinc)	2
12	5/16 LW	5/16 Lock Washer (zinc)	2
13	5/16-18 x 1 HHCS	5/16-18 x 1 Hex Head Cap Screw Grade 5 (zinc)	2
14	5/16-18 HN	5/16-18 Finished Hex Nut (zinc)	2
15	5/16-18 x 1 3/4 HHCS	5/16-18 x 1 3/4 Hex Head Cap Screw (zinc)	2
16	2580306	Ergo Scale Mount - 1.5" High	1
16	3530396	Ergo Scale Mount - 6.5" High	1
17	1/4-20 x 3/4 HHCS	1/4-20 x 3/4 Hex Head Cap Screw Grade 5 (zinc)	2
18	1/4 LW	1/4 Lock Washer (zinc)	2
19	1/4 FW SAE	1/4 Flat Washer SAE (zinc)	2
20	1/2-13 x 2 1/2 HHCS	1/2-13 x 2 1/2 Hex Head Cap Screw Grade 5 (zinc)	1
21	1/2 FW	1/2 Flat Washer (zinc)	2
 <u>FULL ASSEMBLY</u>			
22	3530402	ELDR Scale Swing Out Bracket Assembly	1
23	3530403	DH / RH Scale Swing Out Bracket Assembly	1
24	3530404	Ergo Scale Swing Out Bracket 1.5" Assembly	1
24	3530405	Ergo Scale Swing Out Bracket 6.5" Assembly	1
25	3530406	ED / ER Scale Swing Out Bracket Assembly	1

QUICK-CLAW SAFETY RESTRAINT SYSTEM ASSEMBLY



QUICK-CLAW SAFETY RESTRAINT SYSTEM PARTS LIST

<u>ITEM</u>	<u>PART NO.</u>	<u>DESCRIPTION</u>	<u>QTY</u>
1	QCH2.5	Cam Housing	2
2	QCC2.5	Single Cams	2
3	3/4 x 3 SSS	3/4 x 3 Socket Shoulder Screw 5/8-11 Thread (alloy)	2
4	3/4 FW SAE	3/4 Flat Washer SAE (zinc)	2
5	5/8 FW SAE	5/8 Flat Washer SAE (zinc)	2
6	5/8-11 SLN	5/8-11 Stover Lock Nut (zinc)	2
7	KH100799	Spring (zinc)	4
8	QCFPS	Front Fork Pocket Support	2

ASSEMBLY

QCKIT-EG3/4 All parts required for customer installed QUICK-CLAW option for EG3 & EG4 models

NOTE: Installation of these parts require 43" fork pocket length along with welding of front fork pocket supports and cam housings.