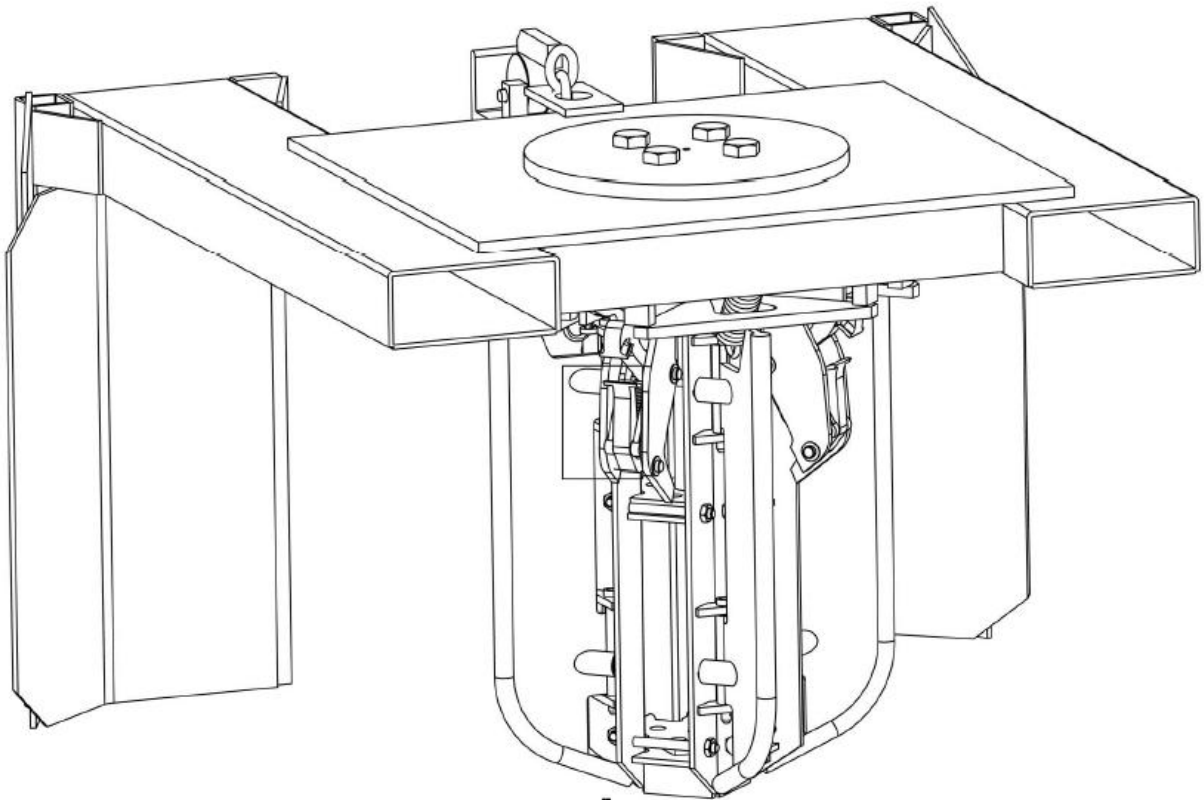


# *Easy Lift Equipment Co., Inc.*

2 Mill Park Court, Newark, Delaware 19713 - Phone: 800-233-1800 / 302-737-7000

## **EL4 SERIES ATTACHMENTS OPERATING INSTRUCTIONS**



## **OPERATION INSTRUCTIONS**

### **EAGLE-GRIP™ MODELS EL4F /EL4F-SRC/ EL4FOC / EL4FOC-SRC EL4CM/EL4CM-SRC**

Upon receipt of this of attachment, cut the metal bands and stretch wrapping materials securing the attachment to the pallet. Using a lift truck insert the forks into the fork pockets of the attachment and remove the attachment from the pallet. Install the safety chain cam lock to the carriage of the lift truck and adjust the chain so it is taught. Models equipped with the Quick-Claw™ Safety Restraint System do not require the use of safety chain and cam lock. Carriage mounted models require the attachment be bolted onto an ITA class II carriage using the supplied mounting blocks. Once the attachment has been secured to the lift truck, visually inspect the attachment for damage incurred while in transit, especially in the area of the clamping assemblies. If there is no apparent damage, proceed to the next paragraph. If there is damage to the attachment do not use the attachment until the problem has been resolved.

With the attachment secured to the lift truck, tilt the mast so the forks are parallel with the floor. The attachment should always be in this position for the clamping mechanisms to be able to grip all four drums at once. Position the attachment's center guide over the opening in the center of all four drums. Lower the attachment onto the top of all four drums and then raise the attachment. All four drums should be engaged by the clamping mechanisms. To release the drums, simply reverse this procedure. It is not necessary lower the drums hard onto the ground or pallet to release. It is recommended that all four drums be in a somewhat tight configuration to be gripped. Should the drums be somewhat misaligned, lower the attachment into the center of the drums and drive forward a few inches to help align the drums before raising the attachment. Should the attachment miss gripping a misaligned drum after lifting, approach the missed drum toward the clamping bay area and repeat the lower/raise procedure until all four drums have been gripped. The attachment is capable of handling less than four drums at a time in the same fashion as outlined above.

When handling open head drums with removable lids, it is recommended to have the lid locking bolts in a position other than the center where the clamping mechanism it attempting to grip the drum chime.

#### **NON-SPARKING OPTIONS:**

All four drum attachment models are available for handling drums in hazardous areas with non-sparking features. The SRC option utilizes non-sparking stainless steel parts in all areas that make contact to the drum to eliminate the potential for spark. In addition, the clamping jaws are made of a non-sparking alloy, which appear to be brass in color or stainless. The SRC suffix is included in the model number for all models having these non-sparking features (example: Model EL4F-SRC)

Should you experience and problems or need further explanations of any contents of this manual, please call customer service @ 302-737-7000 or 800-233-1800.

## INSPECTION AND TROUBLESHOOTING GUIDE

Prior to using the Eagle-Grip model EL4F / EL4FQC or EL4CM, each operator should perform a brief, routine spot-check of the equipment. This inspection should include the following checks:

- 1.) Ensure that the attachment is secured to the lift truck forks with the safety chain and cam lock clamp engaged to the lift truck carriage. If equipped with Quick-Claw Safety Restraint System, be sure the cams have rotated after lifting the attachment from the floor. Carriage mounted attachments should be bolted to the lift truck carriage.
  
- 2.) Visually check the framework for any stress cracks. Inspect the top of the attachment to be sure that all four of the head frame bolts are secure (figure # 3, p/n# 4404) through to the carrier mounting plate.
  
- 3.) Inspect the four centering springs (figure # 5, p/n 6401) to ensure they are properly attached to both the head frame of the attachment and to the underside of the carrier mounting plate.
  
- 4.) Lift the attachment in the air without drums so the clamp housings (figure #7, Clamp Assembly #8403) are at eye height. When disengaged (no drums), the upper and lower clamping jaws of each housing (figure # 15 & 17 in Clamp Assembly #8403) should be retracted inside the jaw housing (figure # 6 in Clamp Assembly #8403). If the jaws are protruding outside of the housings when the unit is disengaged, a trained technician should service the attachment immediately. This indicates a potential problem in the housing orientation, the spider assembly (figure # 13) or potentially in the indexing cantilever (figure # 2, p/n 2404 in Clamp Assembly # 8403).
  
- 5.) Presuming a favorable finding in step #4, put resistance against each of the jaw housings (figure # 7, p/n 2403 in Clamp Assembly # 8403) at the lower leg of the housing and push them individually back into the head frame. Housings should move freely in and out of the head frame, springing back into position (outward) when pressure is released. If the housings stick or are difficult to move back and forth, the head frame may be bent, a pin may be bent or an obstruction may be causing a problem. If the housings are not springing out properly, the attachment should be serviced as soon as possible and not be used.
  
- 6.) All four drum attachment models operate on a ratchet/cam and pawl principle very similar to a ratchet wrench. Typically, when the attachment fails to engage a drum properly you may determine a pattern. To test, use the lift truck to lift and lower the attachment thirteen times on a group of four drums. The ratchet cam star gear (figure # 5, p/n 7404 in Spider Assembly # 8402) has 12 points. By cycling the unit completely 13 times, each point of the ratchet cam will be tested and thus prove whether there may be a problem somewhere in the ratchet/cam/pawl arrangement. If the attachment malfunctions on a particular cycle, note the number (say # 6 for sake of argument) and continue on another 12 times until you've reached # 6 again. Note if this malfunction occurs again at the same contact point on the ratchet star. If it does recur, the ratchet cam, bushings or cam pin likely is wearing or has failed and should be replaced prior to the attachment being put into service. Additionally, diagnosis is usually relatively simple when a malfunction begins to occur. If the attachment is not engaging or not

properly holding a drum or drums, the problem may lie, and usually does, in one of the four clamping mechanisms (figure # 7, Clamp Assembly # 8403). The operator should inform a service technician of their findings noting the particular clamp that is not working smoothly or is not engaging the drums properly and with what frequency or pattern. This will allow for more detailed inspection of that clamping mechanism during PM and MRO procedures. Rarely will the attachment see “random” malfunctions. Typically, one or more clamping mechanisms will be the cause of the problem and observation and reporting to maintenance can forestall additional difficulties.

7.) Inspect each entering guide plate (figure # 16, p/n 2408) to ensure that all springs are in place and that pins attaching guide to the head frame are properly in place and secure. Manipulate the entering guide plates from side to side by hand to ensure slight movement exists in each guide plate and that no binding is occurring. Binding of the guide plates will cause damage to the drums as the attachment is lowered onto the drums for pick-up.

8.) There are two pawls in the attachment (figure # 5 & # 7, P/N 7406 and 7407 respectively). The # 7406 is the ratchet pawl. This pawl, on the downward motion of the attachment onto the drums, is engaged and allows the spider assembly (figure # 13, clamp assembly # 8402) to drop properly and further allows the four jaw mechanisms to release the jaws so they can engage the drums on the next consecutive uplift. The holding pawl, # 7407 captures the spider assembly after the drums have been lowered and released, preventing the clamp jaws from engaging the drums on the next uplift. This is the principle that allows the attachment to alternately pick-up and release the group of four drums with each lift & lower cycle. If the drums either fail to engage or fail to release on the up/down motion, one or both of the pawls (# 7406 & 7407) may be worn, bent or otherwise damaged. While all inner parts of these attachments are hardened to 34C on a Rockwell scale, they can be worn down or damaged through heavy use. If the drums do not release properly without having to forcefully lower the attachment up and down several times, the holding pawl has likely bent or broken. Similarly, if the drums do not properly engage, the ratchet pawl may be the problem. Possible damage to the pawls is difficult to tell with the naked eye without removing one or more of the clamping assemblies (figure # 6), but if this difficulty is being experienced, it is possible that a problem has occurred with one or both pawls in the attachment

9.) Finally, visually inspect the actual upper and lower jaws in each of the four clamping mechanisms to ensure that no surfaces are broken or otherwise worn, causing potential pick-up and release problems. If jaws are broken or cracked, do not use the attachment. Have the attachment serviced by a qualified maintenance technician immediately.

**EASY LIFT EQUIPMENT  
2 MILL PARK CT  
NEWARK, DE. 19713**

**Phone: 302-737-7000: 800-233-1800  
FAX: 302-737-7333  
WEBSITE: [www.easylifteqpt.com](http://www.easylifteqpt.com)  
EMAIL: [sales@easylifteqpt.com](mailto:sales@easylifteqpt.com)**

## DAILY SAFETY INSPECTION

**Do not operate your EL4 series attachment if you notice any unsafe condition(s) that may have been caused by an accident or malfunction. Immediately report this condition to your supervisor.**

1. Perform a visual inspection, checking for loose or damaged springs and jaws.
2. Ensure that safety chain is properly attached to carriage.
3. Ensure locking pins are pushed down and attachment is mounted securely to fork mount carriage. (carriage mount models only)
4. Ensure the operator has read the manual and is properly trained to use the attachment.
5. Observe the condition of the equipment for any other malfunction or defect.

**If any of these tests are failed, tag the unit properly to keep it out of service until the problem has been resolved.**

## SAFETY PRACTICES

1. Do not lift loads that exceed the rated capacity of the attachment.
2. During transportation, the drum(s) should only be lifted to a height that is necessary for proper floor clearance. Be sure the drums do not contact the ground as the attachment is designed to release them if they contact the ground.
3. Keep hands and feet clear of the clamping head, lifting area in front of the attachment and the area underneath an elevated drum.
4. Be certain the clamping head(s) have made a secure connection with the chime of the drum before attempting to move or transport a load.

## WARNINGS

**WARNING:** Do not lift or suspend loads over people. Stay clear of suspended loads.

**WARNING:** Do not attempt to overload the attachment its rated capacity, or raise the drum(s) beyond its maximum lifting height.

**WARNING:** Never transport the attachment at its maximum lifting height.

**WARNING:** Keep hands and feet away from the pinch points, mast channels, clamp and springs.

**WARNING:** Do not leave unit outside in rain, snow, etc., for extended periods.

**WARNING:** Never leave the unit unattended with a suspended load.

**WARNING:** Do not make alterations or modifications to the unit without Easy Lift Equipment authorization

## SPECIFICATIONS

MODEL	CAPACITY	WEIGHT	H x L x W		DRUMS	MOUNTING
	(lb/kg)	(lb/Kg)	(inches)	(mm)	HANDLED	
EL4F	8000/3630	555/252	26x38x43.5	660x965x1105	1 to 4	Fork Mount
EL4F-SRC	8000/3630	575/261	26x38x43.5	660x965x1105	1 to 4	
EL4FQC	8000/3630	645/293	27x50.5x45	685x1283x1143	1 to 4	
EL4FQC-SRC	8000/3630	665/302	27x50.5x45	685x1283x1143	1 to 4	
EL4CM	8000/3630	525/238	32x38x28	813x965x711	1 to 4	Carriage
EL4CM-SRC	8000/3630	545/247	32x38x28	813x965x711	1 to 4	Mount
EL4CB	8000/3630	479/217	33x26.5x27	635x1270x965	4	Hoist
EL4CB-SRC	8000/3630	499/226	33x26.5x27	635x1270x965	4	Mount

### VERTICAL CENTER OF GRAVITY:

The distance measured from the bottom of the attachment to the center point on the frame at which it balances.

<b>EL4F &amp; EL4F-SRC</b>	<b>19.5"</b>	<b>Measured from bottom of frame.</b>
<b>EL4FQC &amp; EL4FQC-SRC</b>	<b>18.5"</b>	<b>Measured from bottom of frame.</b>
<b>EL4CM &amp; EL4CM-SRC</b>	<b>19.5"</b>	<b>Measured from bottom of frame.</b>

### HORIZONTAL CENTER OF GRAVITY:

The distance or point that is measured between the beginning of the fork pockets to the end of the attachment which the attachment balances.

<b>EL4F &amp; EL4F-SRC</b>	<b>19.5"</b>	<b>Measured from pocket opening.</b>
<b>EL4FQC &amp; EL4FQC-SRC</b>	<b>26.0"</b>	<b>Measured from pocket opening.</b>
<b>EL4CM &amp; EL4CM-SRC</b>	<b>24.88"</b>	<b>Measured from lift truck carriage.</b>

### LOST LOAD/EFFECTIVE THICKNESS:

The amount of horizontal distance, measured from the carriage forward, that is lost from the standard 24" load center when an attachment is added.

<b>EL4F &amp; EL4F-SRC</b>	<b>1.0"</b>
<b>EL4FQCC &amp; EL4FQC-SRC</b>	<b>13.5"</b>
<b>EL4CM &amp; EL4CM-SRC</b>	<b>1.0"</b>

### OSHA REGULATIONS:

#### [1910.178\(a\)\(4\)](#)

Modifications and additions which affect capacity and safe operation shall not be performed by the customer or user without manufacturers prior written approval. Capacity, operation, and maintenance instruction plates, tags, or decals shall be changed accordingly.

#### [1910.178\(a\)\(5\)](#)

If the truck is equipped with front-end attachments other than factory installed attachments, the user shall request that the truck be marked to identify the attachments and show the approximate weight of the truck and attachment combination at maximum elevation with load laterally centered.

#### [1910.178\(a\)\(6\)](#)

The user shall see that all nameplates and markings are in place and are maintained in a legible condition.

**Please verify with your local forklift dealer that your lift truck is certified and tagged properly for this attachment.**

**FOR PARTS, SERVICE OR TECHNICAL QUESTIONS CALL:**

EASY LIFT EQUIPMENT  
2 MILL PARK CT  
NEWARK, DE. 19713  
PHONE: 800-233-1800 ; 302-737-7000  
FAX: 302-737-7333  
WEBSITE: [www.easylifteqpt.com](http://www.easylifteqpt.com)  
EMAIL: [sales@easylifteqpt.com](mailto:sales@easylifteqpt.com)

# Easy Lift Equipment Co., Inc.

2 Mill Park Court, Newark, Delaware 19713 - Phone: 800-233-1800 / 302-737-7000

## EASY LIFT EQUIPMENT WARRANTY POLICY FOR MODELS WITH PREFIXES: ED/EL/ELDR/EG & RCR

**Easy Lift Equipment (“ELE”)** warrants each new Drum Hauler™ & Roll Hauler product to be free from factory material and workmanship defects, under normal use with proper maintenance, for a period of 12 months. Warranty coverage for this warranty period is provided by authorized dealers and includes parts. Labor is covered for the same periods of 12 months as outlined above. Please call ELE for the authorized repair dealer in your area.

ELE shall be the sole judge of the validity of any claim or defect and may elect to make any replacement or repair of any part thereof that it has agreed to be defective. Wearable Items: Such as hoses, bearings, belts, brake discs, brushes, seals, springs and wheels are wear items and not covered under warranty. ELE assumes no liability whatsoever to work done, parts replaced, or expenses incurred not specifically authorized by it. Normal maintenance or replacement of service items is not covered by this warranty. No warranty claims will be considered to customers with any delinquent outstanding balance. When batteries, battery chargers, scale printers or scale indicators are purchased from ELE with the equipment, the original manufacturer’s warranty applies.

### **WARRANTY LIMITATION/DISCLAIMERS:**

Easy Lift Equipment reserves the right to void warranty coverage if the unit has been overloaded beyond capacity limitation, damaged due to misuse or abuse, neglect, accidents, freight damage, improper repair, improper storage or that have been modified or repaired in any manner not approved by ELE. Equipment used in abrasive or corrosive conditions, in freezers or excessive moisture, must be properly equipped for the environment to assure the warranty is not voided. Warranty service and claims should be directed to our customer service department who will contact a local authorized dealer or other representative in your area or we will assist the customer in locating a local service representative in their area. The warranty described here above shall constitute the sole remedy of the dealer and/or the initial purchaser. ELE shall under no circumstances be liable for special, general incidental or consequential damages. ELE neither assumes nor authorizes any person to assume for it any other obligation or responsibility in connection with this product warranty. In no event shall ELE be responsible for direct, indirect, special or consequential damages or any other delay or any economic or commercial loss resulting from Easy Lift Equipment’s performance or non-performance under this warranty. This warranty is expressly in lieu of all warranties, obligations or responsibilities of ELE dealers or other authorized source, expressed or implied or statutory.

### **SUBMITTING CLAIMS:**

To make a claim under this guarantee, please contact Easy Lift Equipment for consideration. We can be reached by calling 800-233-1800 then press 4 for customer service or by writing to [sales@easylifteqpt.com](mailto:sales@easylifteqpt.com). Do not return defective parts unless a return authorization (RA) has been provided requesting for return. Do not send defective parts to ELE unless requested. If requested, we will provide shipping information on how the part should be returned and bear the expense for the return, if the part is proven to be defective.

A copy of the work order made at the time of the repair and parts claimed under warranty may be requested for ELE’s inspection.

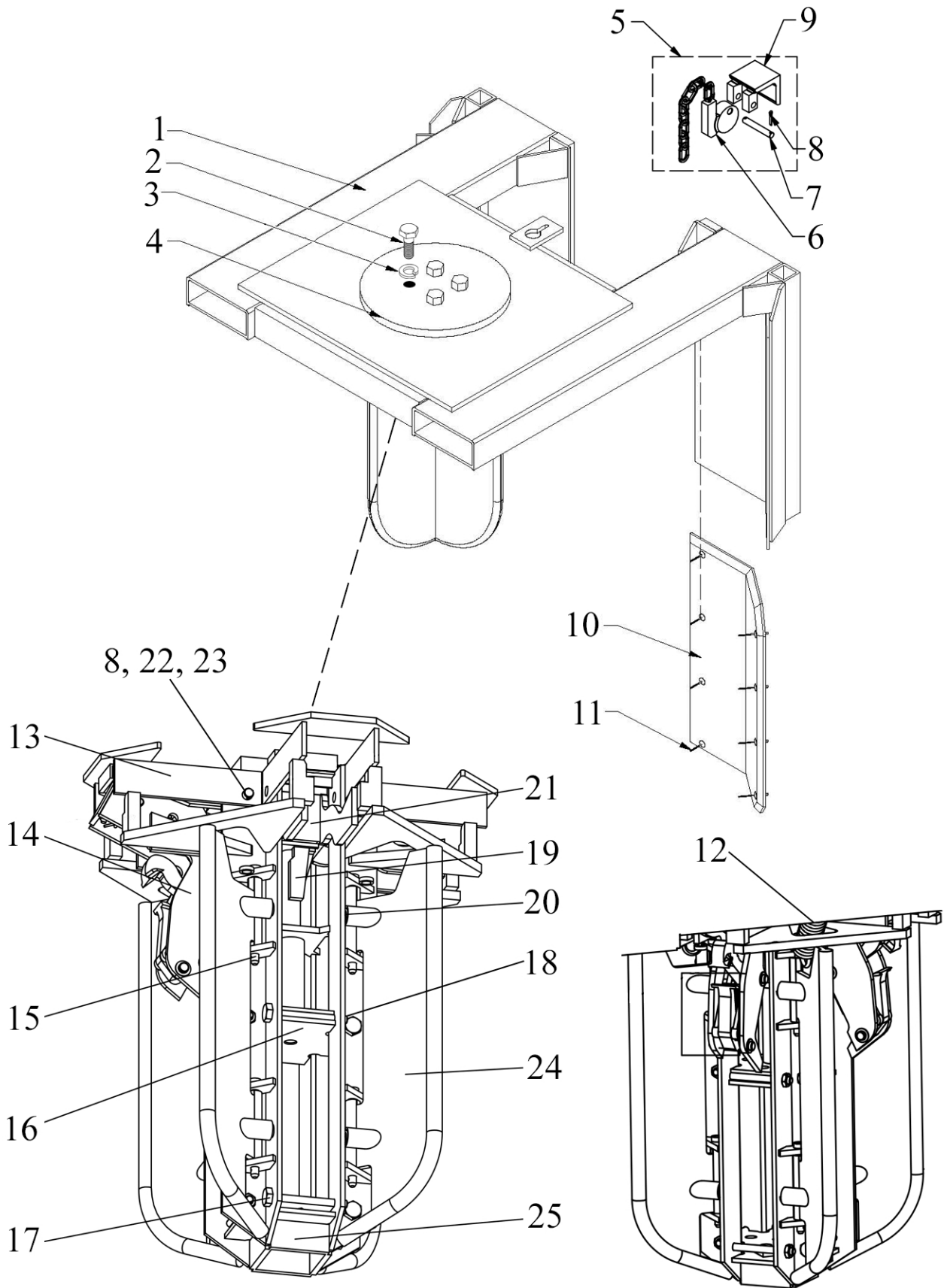
### **ORDERING PARTS:**

Easy Lift Equipment’s products are distributed through our service department and generally always ship the same day when ordered. Parts are also available from many authorized dealers in your area. You will be well taken care of whenever parts, adjustments or repairs are needed. **When contacting ELE, please be sure to state model number and serial number for the equipment.** There is no cost for replacement manuals, parts lists and other generally information containing part numbers and nomenclature. Most manuals contain parts pricing but may not be current as parts pricing can change. Any customer service representative can provide timely parts quotations upon request. Adherence to above procedure will save time and provide speedy assistance when it counts. You are of course always welcome to bring to us any questions, comments or recommendations pertaining to your Easy Lift Equipment products.



**THIS PAGE INTENTIONALLY LEFT BLANK**

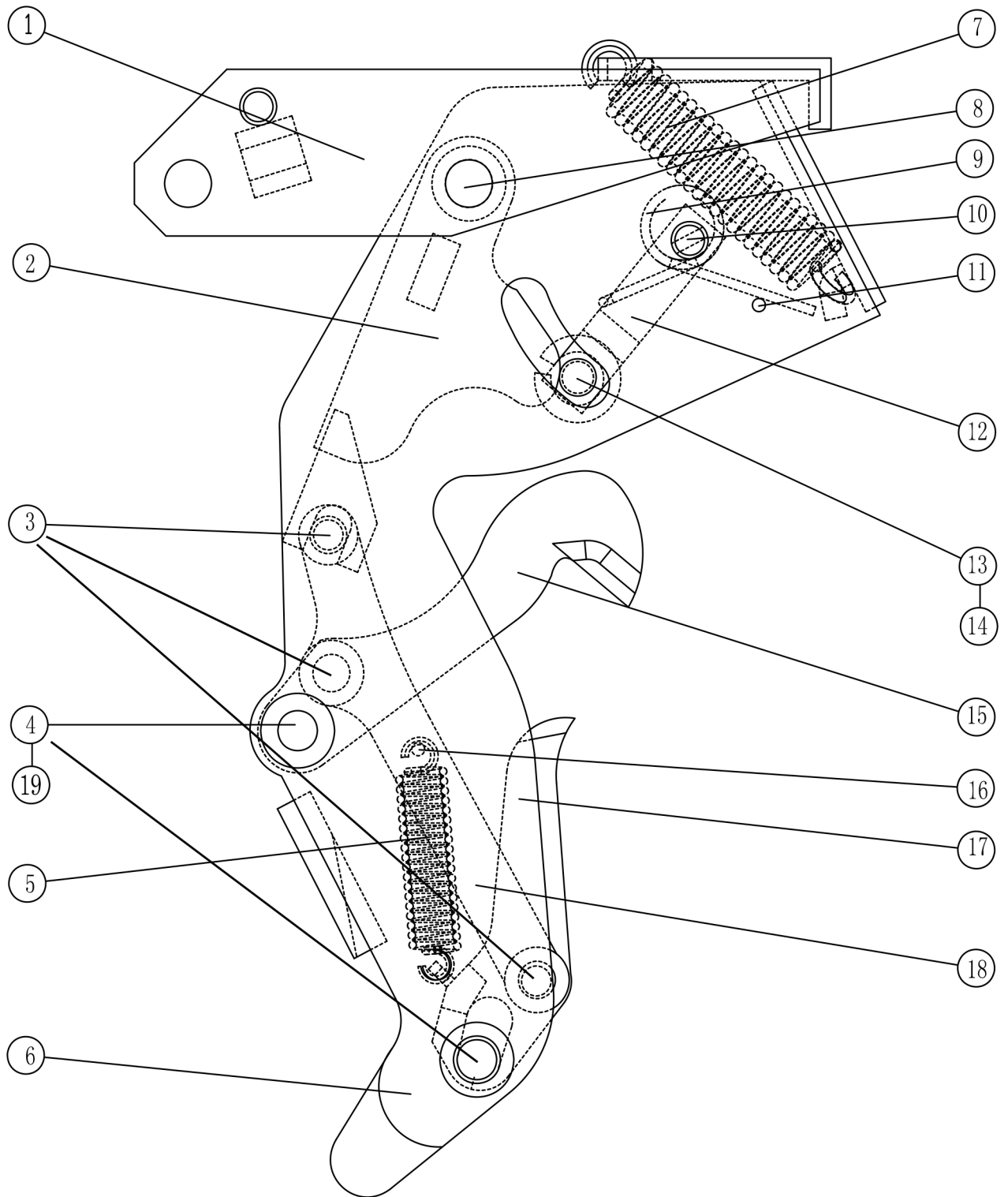
# EL4F FRAME & CLAMP ASSEMBLY



## EL4F FRAME AND CLAMP PARTS LIST

<u>ITEM</u>	<u>PART NO.</u>	<u>DESCRIPTION</u>	<u>QTY</u>
1	2410	Long Frame Carrier	1
2	M20-2 1/2 x 40 MM	M20-2 1/2 x 40 mm Hex Head Cap Screw Plated 8.8	4
3	M20 LW	Lock Washer Plated	4
4	600181-5405	Plate-Carrier Mounting	1
5	504	Safety Chain & Cam Lock Assembly	1
6	0504D	Cam, Cam Lock	1
7	4006-1	Pin, Cam Lock	1
8	6006-CP	Cotter Pin, 5/32" x 1" (zinc)	10
9	0504A	Clamp, Cam Lock (zinc)	1
10	3530370	EL4 Stainless Steel Carrier Backing Plate with SBR (each)	2
11	97525A655	18-8 SS Blind Rivet, Large diameter domed head, 3/16" diameter, 0.626" - 0.75" Thickness	16
12	4206	Spring, Clevis (zinc)	4
13	2054-2401	Long Frame (Center)	1
13	2054-2401SS	Long Frame (Center) - SRC Stainless Steel	1
14	4043-8403	EL4 Clamping Mechanism Assembly	4
15	21251-2409	Pin Guide Plate with Cotter Pins	8
16	21191-2405	Upper Spacer Block	1
17	3/8-16 x 4 1/4 HHCS-SS	3/8-16 x 4 1/4 Hex Head Cap Screw (stainless steel)	8
18	3/8-16 THIN NLN-SS	3/8-16 THIN Nylon Locking Nut (stainless steel)	8
19	490321-8401	Holding Block Assembly	1
20	6039-6407	Spring Entering Guide Plate	16
21	2120-8402	Complete Spider Assembly	1
21	2120-8402SS	Spider Assembly - SRC Stainless Steel	1
22	16035-1	1/2" x 4-3/4" Case Hardened Pin (zinc)	4
23	6040-6401	Spring - Cantilever to Frame	4
24	2055-2408	Entering Guide Plate	4
24	2055-2408SS	Entering Guide Plate - SRC Stainless Steel	4
25	21192-2406	Lower Spacer Block	1
25	21192-2406SS	Lower Spacer Block - SRC Stainless Steel	1

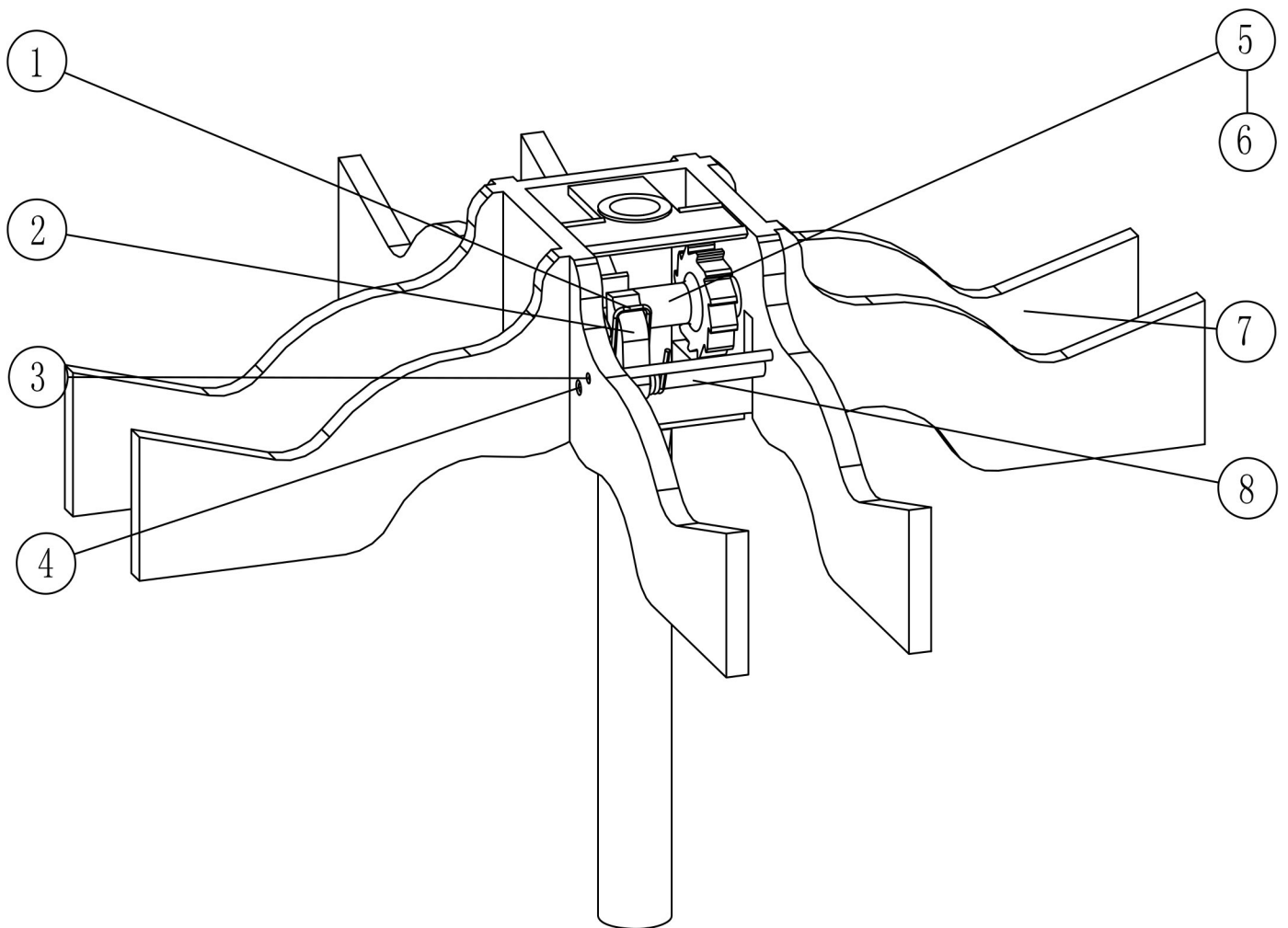
# EL4F CLAMPING ASSEMBLY



## EL4F CLAMPING ASSEMBLY PARTS LIST

<u>ITEM</u>	<u>PART NO.</u>	<u>DESCRIPTION</u>	<u>QTY</u>
1	2116-2402	Cantilever - Housing to Frame	4
2	2121-2404	Cantilever - Indexing	4
3	72041	3/8" x 1-1/2" Pin, Link to Upper Jaw (zinc)	12
4	16033-1	1/2" x 2.625" Pin, Clevis (zinc)	8
5	4306	Jaw Spring (zinc)	4
6	2122-2403	Housing - Clamp	4
6	2122-2403SS	Housing - Clamp - SRC Stainless Steel	4
7	6042-6402	Spring - Housing to cantilever	4
8	16032-1	1/2" x 3-1/2" 4140 Hardened Pin (zinc)	4
9	6041-6403	Spring - Index Link to Housing	4
10	15104-1SS	3/8" x 2.242" Pin, Fibre Guard, Housing to Clevis (stainless steel)	4
11	6059-1403	Roll Pin	4
12	190411-5401	Indexing Link	4
13	140391-1405	Pin	4
14	3006-CP	Cotter Pin, 1/8" x 3/4" (zinc)	12
15	7009-7401	Upper Jaw	4
15	7009SRJ	Upper Jaw (Spark Resistant)	4
16	14002-1407	Pin	4
17	7012-7402	Lower Jaw	4
17	7012SRJ	Lower Jaw (Spark Resistant)	4
18	7018-7403	Link - Jaw to Jaw	8
19	6006-CP	Cotter Pin, 5/32" x 1" (zinc)	24
	4043-8403	EL4 Clamping Mechanism Assembly	4

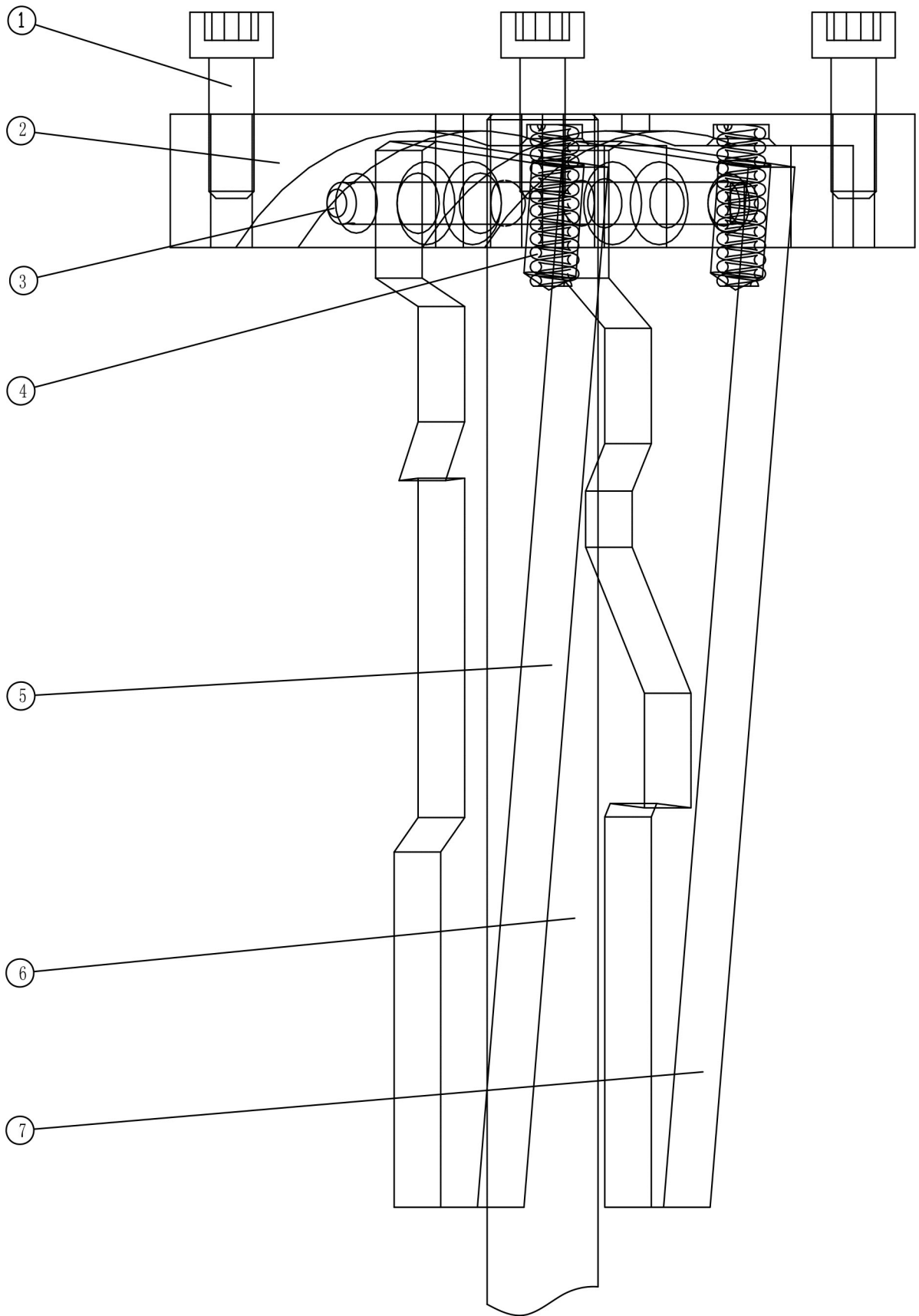
# EL4F SPIDER ASSEMBLY



**EL4F SPIDER ASSEMBLY  
PARTS LIST**

<u>ITEM</u>	<u>PART NO.</u>	<u>DESCRIPTION</u>	<u>QTY</u>
1	6038-6406	Spring	1
2	7011-7405	Ratchet Cam Stop Pawl	1
3	14041-1410	Pin	1
4	14035-1409	Pin	1
5	7010-7404	Ratchet Cam with Bushings	1
6	140341-1408	Pin with Cotter Pins	1
7	2120-2407	Spider with Bushings	1
7	2120-2407SS	Stainless Steel Spider with Bushings	1
8	10038-5404	Spacer Tubing/Sleeve	1
	2120-8402	Complete Spider Assembly	1
	2120-8402SS	Spider Assembly - SRC Stainless Steel	1

# EL4F HOLDING BLOCK ASSEMBLY

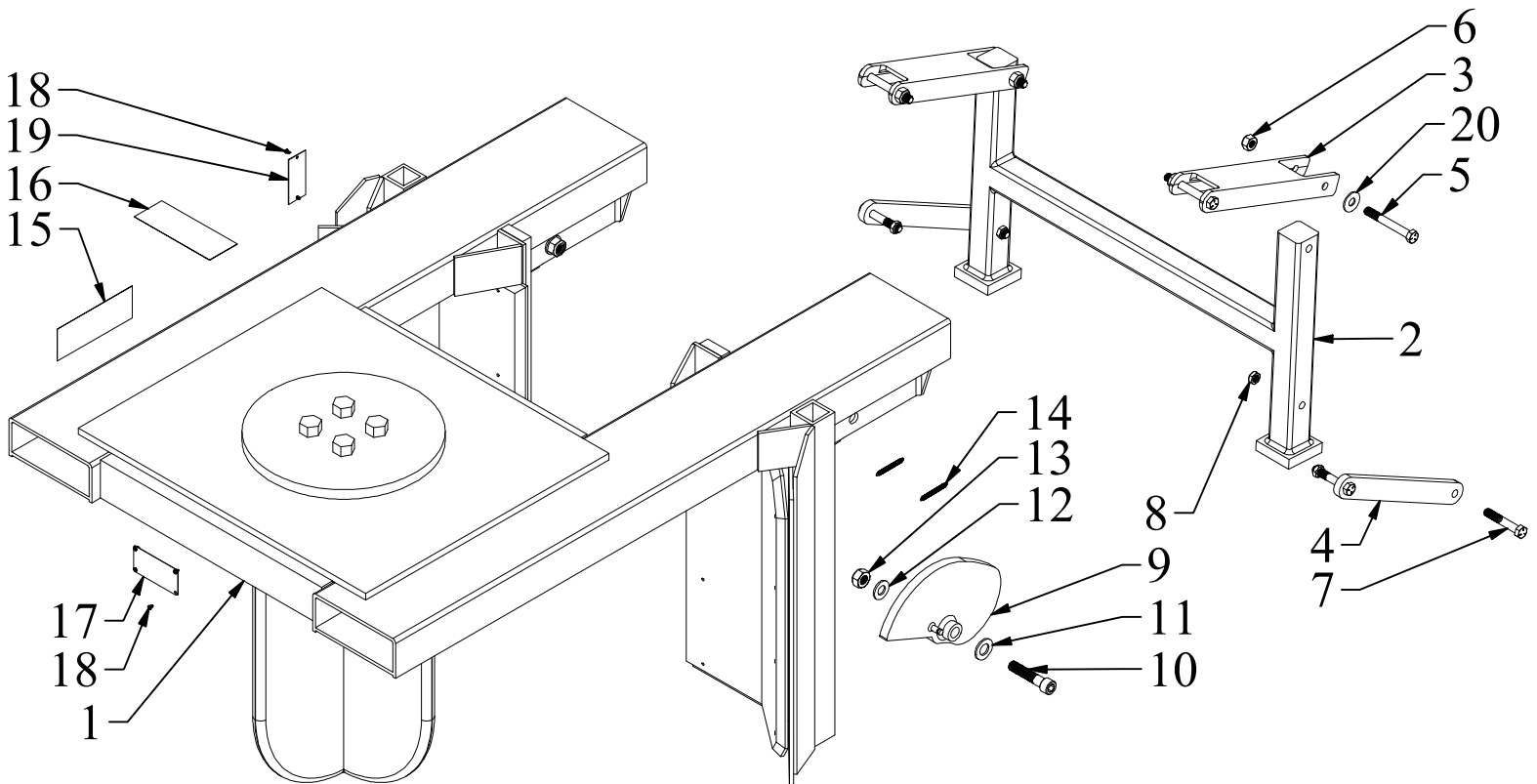




**EL4F HOLDING BLOCK  
PARTS LIST**

<b><u>ITEM</u></b>	<b><u>PART NO.</u></b>	<b><u>DESCRIPTION</u></b>	<b><u>QTY</u></b>
1	6105-4403	Cap Screw	4
2	490321-5403	Holding Block	1
3	140341-1408	Pin with Cotter Pins	1
4	6036-6405	Spring - Holding/Ratchet Pawl	2
5	7014-7406	Ratchet Pawl with Bushing	1
6	160301-5402	Guide Shaft	1
7	7013-7407	Holding Pawl	1
	490321-8401	Holding Block Assembly	1

# EL4F QUICK-CLAW ASSEMBLY



## EL4F QUICK CLAW PARTS LIST

<u>ITEM</u>	<u>PART NO.</u>	<u>DESCRIPTION</u>	<u>QTY</u>
1	2410-QC	EL4-FQC Long Frame Carrier Only	1
2	3530378	EL4 QC Legs	1
3	3530376	EL4 QC Under Cam Channel (each)	2
4	3530377	EL4 QC Linkage Arm (each)	2
5	1/2-13 x 3 3/4 HHCS	1/2-13 x 3 3/4 Hex Head Cap Screw Grade 5 (zinc)	4
6	1/2-13 NLN	1/2-13 Nylon Locking Nut (zinc)	4
7	1/2-13 x 3 HHCS	1/2-13 x 3 Hex Head Cap Screw Grade 5 (zinc)	4
8	1/2-13 THIN NLN	1/2-13 Nylon Locking Nut (THIN)	4
9	QCC2.5	Single Cams	2
10	3/4 x 3 SSS	3/4 x 3 Socket Shoulder Screw 5/8-11 Thread (alloy)	2
11	3/4 FW SAE	3/4 Flat Washer SAE (zinc)	2
12	5/8 FW SAE	5/8 Flat Washer SAE (zinc)	2
13	5/8-11 SLN	5/8-11 Stover Lock Nut (zinc)	2
14	KH100799	Spring (zinc)	4
15	ADART015	ELE Address Decal (Horizontal)	2
16	ADART002	Attention Read Operations Manual Decal	1
17	MCL007031	Specification Plate	1
18	6 x 1/4 RUDS-SS	6 x 1/4 Round Head U Drive Screw (stainless steel)	6
19	MCL044991	PM Tag	2
20	1/2 FW	1/2 Flat Washer (zinc)	4

**EL4F  
SPARE PARTS LIST**

<u>PART NO.</u>	<u>DESCRIPTION</u>	<u>QTY</u>
4206	Spring, Clevis (zinc)	4
16035-1	1/2" x 4-3/4" Case Hardened Pin (zinc)	4
6040-6401	Spring - Cantilever to Frame	4
6039-6407	Spring Entering Guide Plate	4
2121-2404	Cantilever - Indexing	1
16033-1	1/2" x 2.625" Pin, Clevis (zinc)	8
4306	Jaw Spring (zinc)	4
6042-6402	Spring - Housing to cantilever	4
6041-6403	Spring - Index Link to Housing	4
140391-1405	Pin	4
3006-CP	Cotter Pin, 1/8" x 3/4" (zinc)	4
7009-7401	Upper Jaw	1
7012-7402	Lower Jaw	1
6038-6406	Spring	1
B-800	12oz White Lithium Grease Can	1

**EL4SRCF  
SPARE PARTS LIST**

<u>PART NO.</u>	<u>DESCRIPTION</u>	<u>QTY</u>
4206	Spring, Clevis (zinc)	4
16035-1	1/2" x 4-3/4" Case Hardened Pin (zinc)	4
6040-6401	Spring - Cantilever to Frame	4
6039-6407	Spring Entering Guide Plate	4
2121-2404	Cantilever - Indexing	1
16033-1	1/2" x 2.625" Pin, Clevis (zinc)	8
4306	Jaw Spring (zinc)	4
6042-6402	Spring - Housing to cantilever	4
6041-6403	Spring - Index Link to Housing	4
140391-1405	Pin	4
3006-CP	Cotter Pin, 1/8" x 3/4" (zinc)	4
7009SRJ	Upper Jaw (Spark Resistant)	1
7012SRJ	Lower Jaw (Spark Resistant)	1
6038-6406	Spring	1
B-800	12oz White Lithium Grease Can	1